

**CODE NUMBER**

4020132

**DESCRIPTION**

Polished Chrome Finish, Act-O-Matic® Standard with Thumb Screw Volume Control Showerhead.

**DETAILS**

- Finish: Polished Chrome (CP)
- Flow Rate: 1.8 gpm (6.8 Lpm) (1.8GPM)
- Self-Cleaning: Yes

**FEATURES**

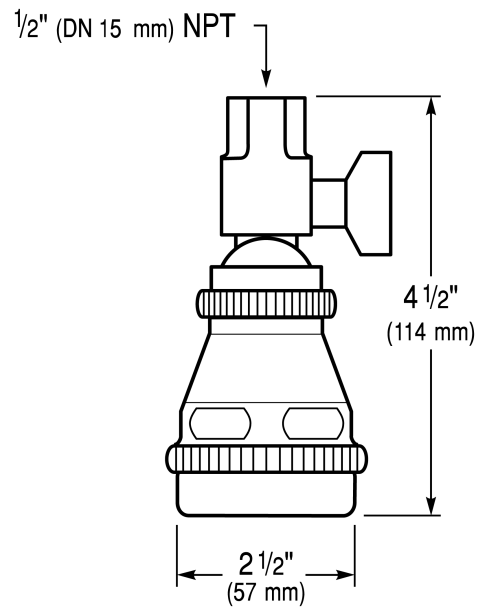
Act-O-Matic, Chrome Plated Shower Head with the following features:

- Spring loaded, Self-cleaning Spray Disk to prevent particle clogging
- “Cone-within-a-cone” Spray Pattern for total body coverage
- All Brass Construction
- Universal Ball Joint with Thumb Screw Volume Control
- 1/2” I.P.S. Inlet
- Pressure Compensating 1.8 gpm (6.8 Lpm) Flow Control

Shower Head shall be in conformance to all requirements of ANSI/ASME Standard A112.18.1M, CSA B-125 and the United States Federal Energy Policy Act.

**DOWNLOADS**

- [Showerhead Parts and Accessories Repair and Maintenance Guide](#)
- [Additional Downloads](#)



**COMPLIANCES & CERTIFICATIONS**



(cUPC Certified, BAA Compliant, WaterSense Listed, IAPMO, ASME A112.18.1 Compliant)

**RECOMMENDED SPECIFICATION**

Sloan Act-O-Matic Showerhead model no. AC-11 1.8 gpm. Chrome Plated.

**NOTES**

All information contained within this document subject to change without notice.