

CODE NUMBER

3325501

DESCRIPTION

1.6/1.1 gpf, Polished Chrome Finish, Dual Flush, Battery, Exposed Sensor Water Closet Retrofit Flushometer.

DETAILS

- Flush Volume: 1.6/1.1 gpf (6.0/4.2 Lpf)
- Finish: Polished Chrome (CP)
- Power Type: Battery
- Battery Life: 3 years
- Valve: Diaphragm/Piston
- Fixture Type: Water Closet
- Fixture Connection: Top spud

FEATURES

- ADA Compliant Optima Plus® Battery Powered Infrared Side Mount Sensfaautomatic “No Hands” operation
- Non-Hold-Open True Mechanical Override Full Flush Button
- If the user is present less than one minute and leaves the sensing zone chooses the small GREEN override button, a reduced flush initiates (1.1 gpf/4.2 Lpf) eliminating liquid and paper waste, saving 1/2 gallon of water†
- If the user is present for greater than one minute and leaves the zone chooses the large BLACK override button, the full flush initiates (1.6 gpf/6.0 Lpf) eliminating solid waste and paper
- User friendly three (3) second Flush Delay
- Four (4) size C alkaline batteries included
- 72-Hour Sentinel Flush
- “Low Battery” Flashing LED
- “User in View” Flashing LED
- No External Volume Adjustment to Ensure Water Conservation
- The Side Mount units can be used on standard rough-in Sloan, Royal, Regal and Zurn flushometers.

**COMPLIANCES & CERTIFICATIONS**

(ADA Compliant, BREEAM Water Credit, cUPC Certified, Green Globes Water Credit)

ELECTRICAL SPECIFICATIONS

- Arming Delay: 1-3 seconds
- Battery Life: 3 years
- Control Circuit: 6 VDC Input/72 Hour Sentinel Flush/Solid State
- Sensor Range: 22" - 42" (559-1,067mm)

VALVE OPERATING PRESSURE (FLOWING)

15-80 PSI (103-552 kPa). Specific fixtures may require greater minimum flowing pressure - consult manufacturer requirements.

DOWNLOADS

- [EBV-500/550-A Installation Instructions](#)
- [EBV500/EBV550 Repair and Maintenance Guide](#)
- [Additional Downloads](#)

NOTES

All information contained within this document subject to change without notice.

Looking for other variations of the EBV550A product? [View the general spec sheet with all options.](#)

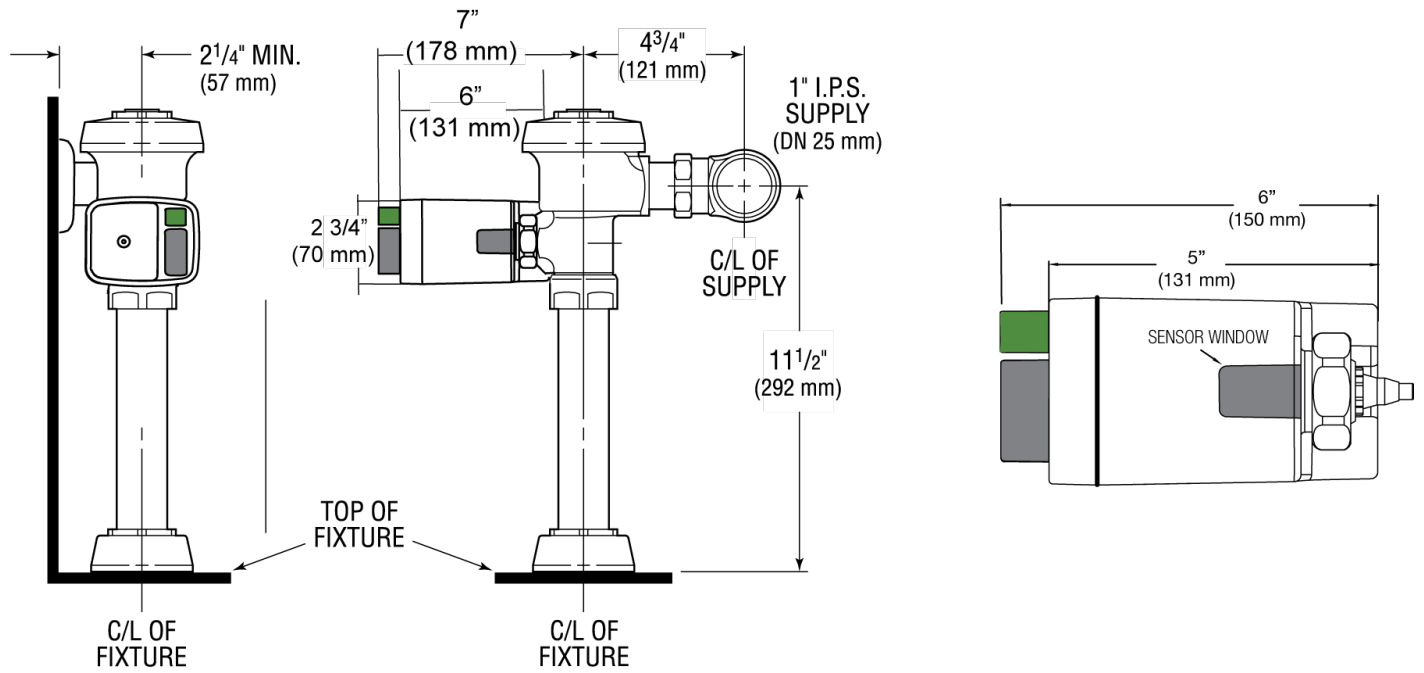
[Find a compatible urinal](#) for this flushometer.

[Find a compatible water closet](#) for this flushometer.

Sloan 10500 Seymour Ave, Franklin Park, IL 60131

Phone: 800.982.5839 • Fax: 800.447.8329 • sloan.com

ROUGH-IN



Sloan 10500 Seymour Ave, Franklin Park, IL 60131
 Phone: 800.982.5839 • Fax: 800.447.8329 • sloan.com