

**CODE NUMBER**

1101009T

**DESCRIPTION**

Carbon Offset, Vitreous China Washdown Urinal.

**DETAILS**

- Flush Volume: 0.125–0.5 gpf (0.5–1.9 Lpf)
- Flush volume determined by the flushometer used with the fixture.
- Nominal Dimensions: 14 ¼" × 17 ¼" × 25 ½" (362 × 438 × 648mm)

**FEATURES**

- Designed to maximize and complement Sloan flushometers
- Universal high-efficiency model works with 0.125, 0.25 and 0.5 gpf Sloan flushometers
- Thorough washdown flushing action
- Durable, hygienic vitreous china construction
- Vandal resistant stainless steel strainer included
- IAPMO certified to meet or exceed ASME A112.19.2 standards
- Water Sense listed by EPA that qualifies for most rebate programs
- Meets ADA guidelines and ANSI A117.1 requirements when installed accordingly

**PLUMBING SYSTEM REQUIREMENTS**

- Minimum Flowing Pressure: 25 PSI (172 kPa)
- Maximum Static Pressure: 80 PSI (552 kPa)
- Minimum Flow Rate: 18 gpm (68 Lpm)

**DOWNLOADS**

- [Standard Spud Urinal Installation Instructions](#)
- [SS/ST/SU/WETS/WEUS Fixtures Repair and Maintenance Guide](#)
- [Additional Downloads](#)



**COMPLIANCES & CERTIFICATIONS**



(ADA Compliant, cUPC Green Certified, WaterSense Listed, CEC Compliant, CalGreen Compliant, Carbon Neutral, EPD, HPD)

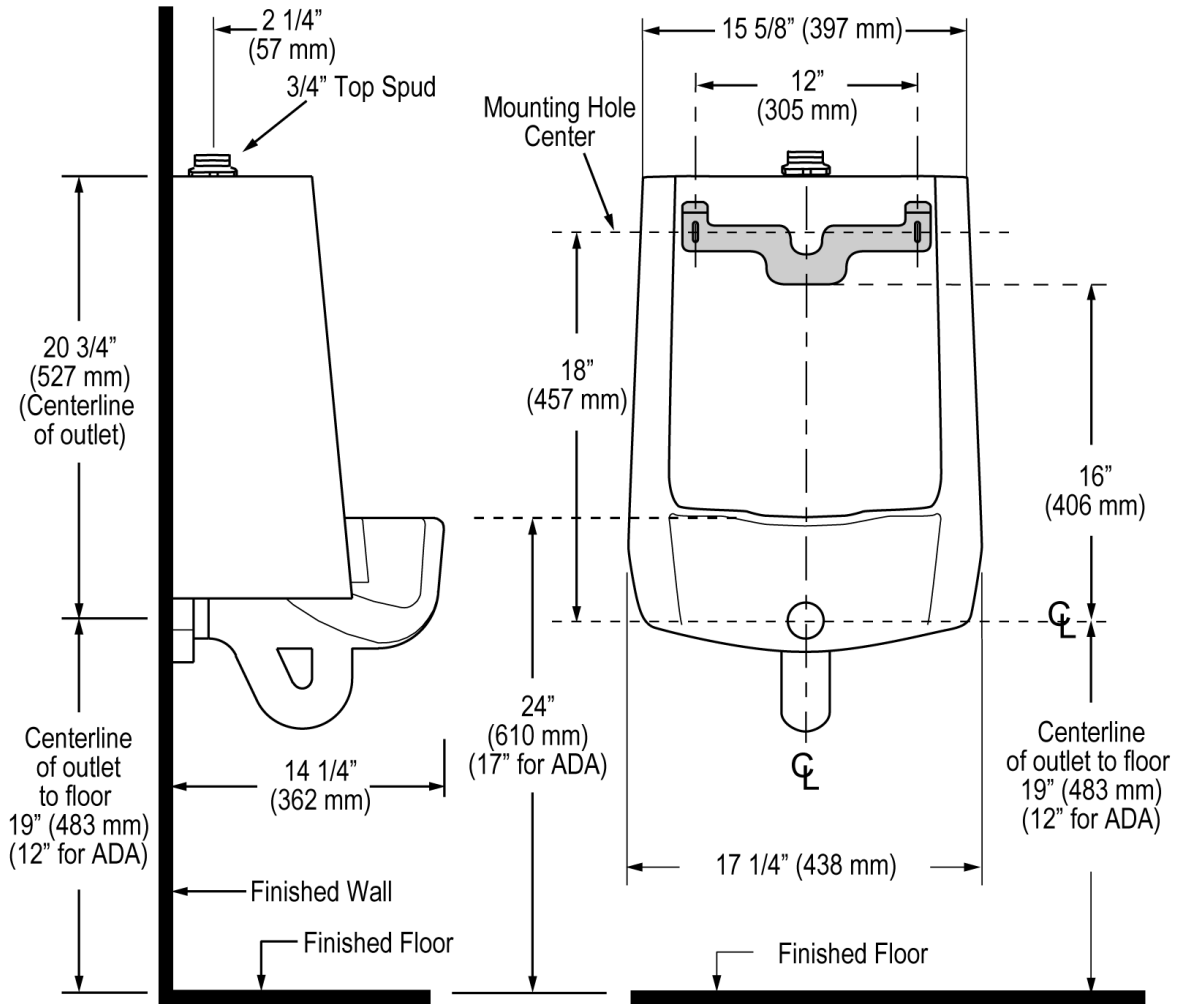
**NOTES**

All information contained within this document subject to change without notice.

All vitreous china dimensions shown in these drawings are nominal and not to scale. Dimensions can vary within the tolerances established in the governing ASME A112.19.2/CSA B45.1 standard. It is important to consider this when planning rough-in and plumbing layouts.

[Find a compatible flushometer](#) for this urinal.

**ROUGH-IN**



NOTE: ADA urinal rim height requirements allow all heights 17" and below. Sloan strongly recommends roughing in the drain to achieve a 16½" rim height or less to ensure compliance.