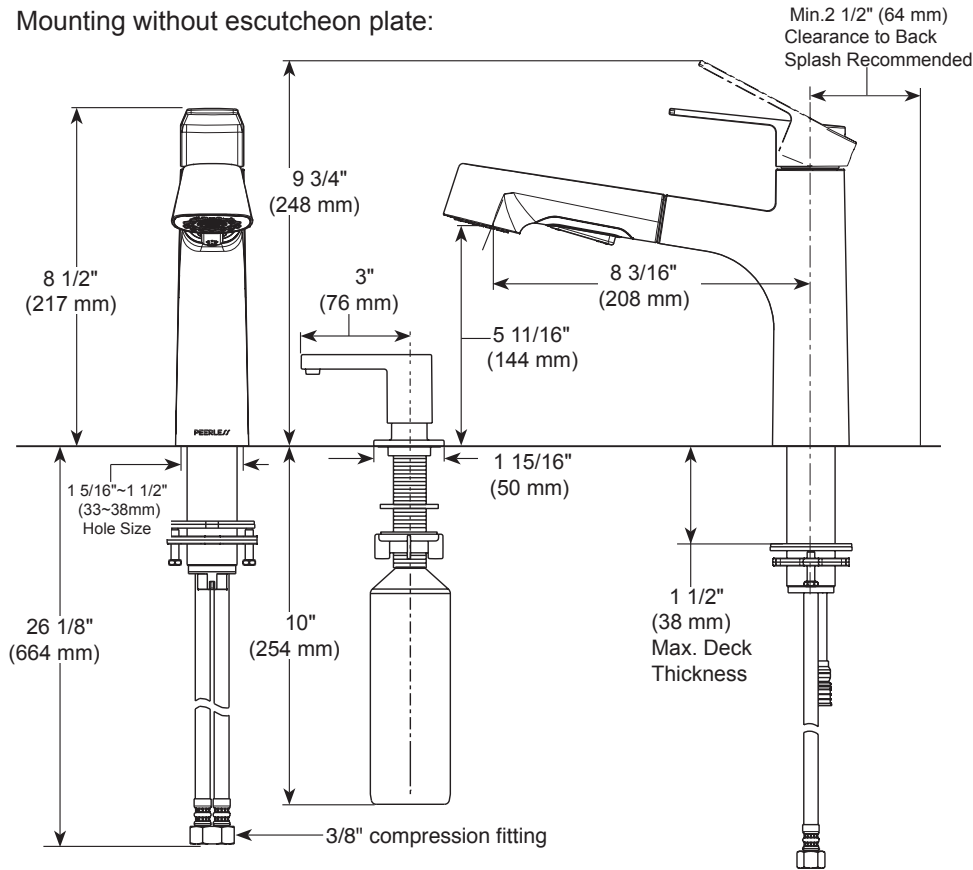


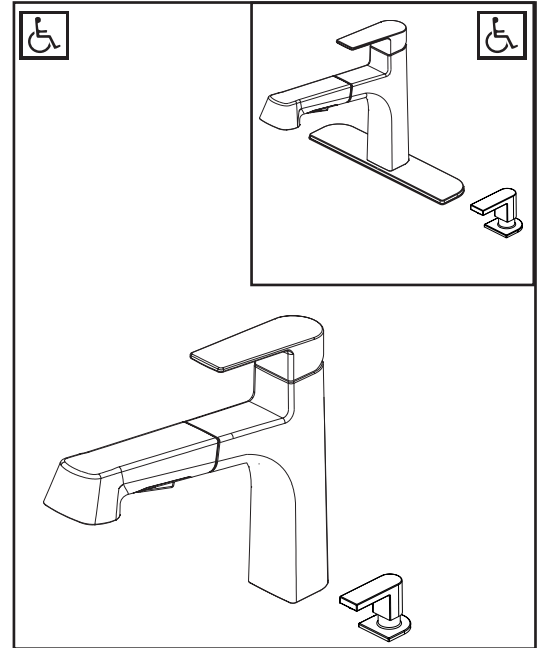
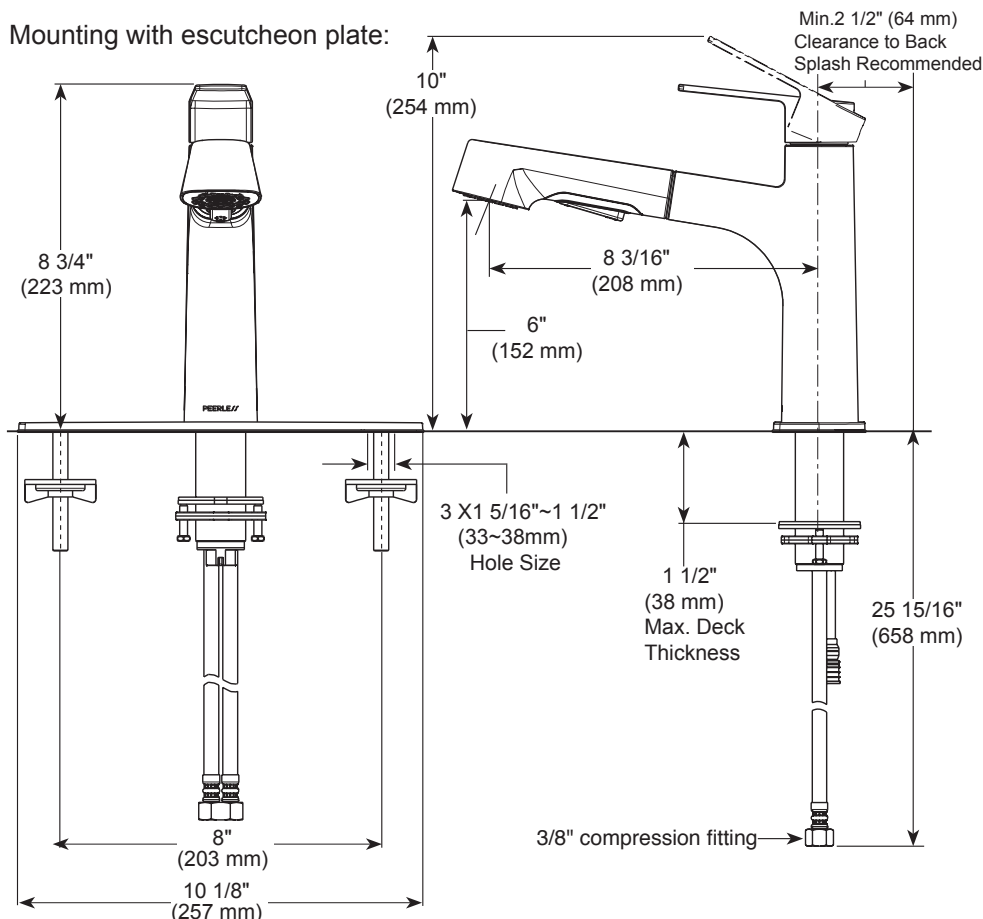
PEERLESS®

P6919LF▲

Mounting without escutcheon plate:



Mounting with escutcheon plate:



KITCHEN FAUCETS

■ Single handle pull-out

STANDARD SPECIFICATIONS:

- Maximum 1.5 gpm @ 60 psi, 5.7 L/min @ 414 kPa
- One, two, three, four hole mount options (escutcheon and soap dispenser optional, sold separately)
- Two-function wand; aerated stream or spray
- Dual integral check valves in sprayer
- Ceramic cartridge
- Spout rotates 120°
- Red/Blue indicator markings
- Polymer braided flexible supply hose with 3/8" compression fitting - 26 1/8" (664 mm) long

WARRANTY

- Parts and Finish - Lifetime limited warranty; or for commercial purchasers, 10 years for multi-family residential (apartments and condominiums) and 5 years for all other commercial uses, in each case from the date of purchase.

COMPLIES WITH:

- ASME A112.18.1 / CSA B125.1
- Indicates compliance to ICC/ANSI A117.1

▲ Designate proper finish suffix
PSP-K-P6919LF Rev B