

Specification Submittal Data / Panasonic ERV

Description

Ceiling or wall mount Cold Climate Energy Recovery Ventilator (ERV) provides a tempered air supply, humidity control, and a balanced amount of exhaust to help maintain balanced, positive or negative pressure throughout the home. The Panasonic Intelli-Balance ERV is engineered for use in any North America climate zone. Version 2 includes new Hi/Lo Occupant Controlled Boost Capability. Built-in ASHRAE 62.2 Timing function helps ensure code compliance.

Motor/Blower:

- ERV shall have Hi/Lo Speed Occupant Controlled Boost Capability
- Two (2) enclosed DC brushless motors rated for continuous run.
- ERV Supply and Exhaust ventilation rates shall be manually adjustable for 50-60-70-80-90-100 CFM.
- Power rating shall be 120 volts and 60 Hz.
- Motor equipped with thermal cut-off fuse control.
- Removable, permanently lubricated, plug-in motor.

Housing:

- 22 gauge galvanized steel body.
- Four 4" or 6" intake and exhaust ducts.
- Built in damper on Outdoor Air (OA) closes during defrost function when the outdoor temperature is too cold.
- Filters on supply and exhaust air extend the life of the ERV core.
- (4) Pressure ports allow for easy airflow verification.
- Pre-drilled mounting bracket can accommodate 16", 19", or 24" on center.

Maintenance:

- MERV 8 filter included; MERV 8 (FV-FL0810VE1) and optional MERV 13 (FV-FL1310VE1) replacements available.
- Unobtrusive alarm notifies owner for filter check and maintenance.

Warranty:

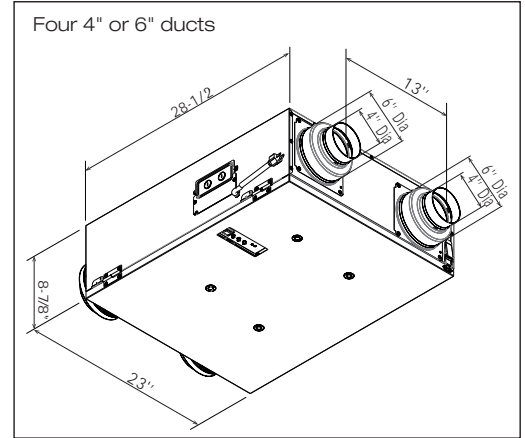
- DC Motors: 6 years from original purchase date
- All Parts: 3 Years from original purchase date.

Architectural Specifications:

ERV shall be ceiling or wall mount type with built-in speed selectors for both Supply and Exhaust air. Select from 50/60/70/80/90/100 CFM. ERV shall have 100 Net CFM on the exhaust ports and 100 Net CFM on the supply ports as tested in accordance with HVI 915 and 916 standards at 0.1 static pressure in inches water gauge. ERV shall have 100 Net CFM on the exhaust ports and Net 100 CFM on the supply ports at 0.4" w.g. static pressure. ERV shall have Hi/Lo Speed Occupant Controlled Boost Capability. Power consumption shall be no greater than 81 watts at 0.1" w.g. and 100 watts at 0.4" w.g. static pressure. Apparent Sensible Effectiveness for heating shall be no less than 84% at 53 CFM net air flow under 32°F (0°C) as tested in accordance with CSA-C439. Total Recovery Efficiency for cooling shall be no less than 60% at 49 CFM net air flow under 95°F (35°C). The supply port damper shall close when outdoor temperatures are < 14°F (-10°C) to prevent freezing of the core. The (2) motors shall be totally enclosed DC brushless motors rated for continuous run. DC motor speed shall automatically increase when the fan senses static pressure to maintain selected CFM. ERV shall incorporate an ASHRAE 62.2 Intermittent Timing function for code compliance. ERV shall have standby/low speed to high speed control airflow capability as desired by occupant. Power rating shall be 120v/60Hz. Duct diameters shall be no less than 4". ERV can be used to comply with ASHRAE 62.2, LEED, IAP, California Title-24, and WA Energy Code

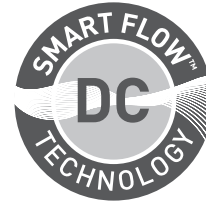
ERV Core Technology:

- Indoor and outdoor air passes through Panasonic's capillary core technology. This process tempers supply air while transferring moisture and energy.
- Built in Frost Prevention Mode prevents the core from freezing. Frost Prevention Mode is intuitive and operates without homeowner intervention.
- Core material permeated with anti-mold treatment.



FV-10VE2

Optional Exterior Wall Cap (see next page)



DC Motor Technology

When the ERV senses static pressure, its speed is automatically increased to ensure that the desired CFM is not compromised.

For complete Installation Instructions visit us.panasonic.com/ventfans

| Model | Quantity | Comments | Project: |
|-------|----------|----------|---------------|
| | | | Location: |
| | | | Architect: |
| | | | Engineer: |
| | | | Contractor: |
| | | | Submitted by: |
| | | | Date: |

Panasonic Life Solutions Company of America
IAQ Division
 Two Riverfront Plaza
 Newark, NJ 07102
us.panasonic.com/ventfans



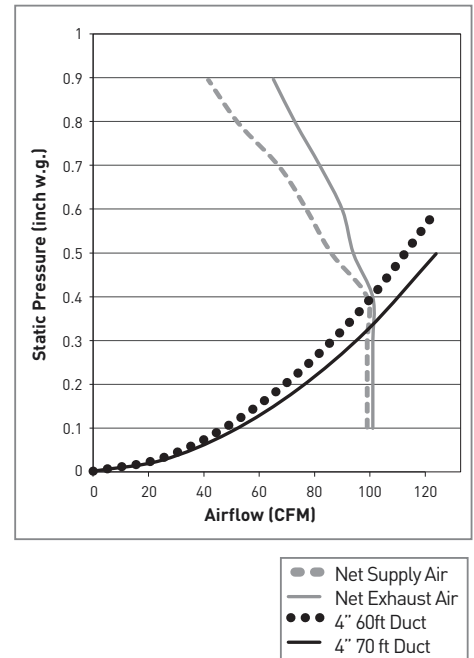
Specification Submittal Data / Panasonic ERV

(Continued)

| Specifications: Intelli-Balance 100 FV-10VE2 | | |
|---|--------|-----|
| Static Pressure in inches w. g. | 0.1 | 0.4 |
| Net Exhaust Air Volume (CFM) | 100 | 100 |
| Net Supply Air Volume (CFM) | 100 | 100 |
| Power Consumption (watts) | 81 | 100 |
| Power Rating (V/Hz) | 120/60 | |
| ENERGY STAR® Certified | Yes | |

| Energy Performance: Intelli-Balance 100 FV-10VE2 | | | | | | | |
|---|----|--------------|-----|---------------------------|------------------------------|---------------------------------|-----------------------|
| Supply Temperature | | Net Air Flow | | Power Consumed (Watts) | Sensible Recovery Efficiency | Apparent Sensible Effectiveness | Net Moisture Transfer |
| °C | °F | L/S | CFM | | | | |
| Heating | | | | | | | |
| 0 | 32 | 25 | 53 | 29 | 81 | 84 | 81 |
| 0 | 32 | 31 | 66 | 39 | 77 | 81 | 75 |
| 0 | 32 | 40 | 85 | 68 | 75 | 80 | 74 |
| Cooling | | | | Total Recovery Efficiency | | | |
| 35 | 95 | 23 | 49 | 32 | 60 | | |

Performance Curve 4" or 6" duct



Panasonic Life Solutions Company of America
IAQ Division
 Two Riverfront Plaza
 Newark, NJ 07102
us.panasonic.com/ventfans

