

OPA-320C
 OPA-320ORB

OPA-320SS

Omnipro

4" Two Handle Centerset Bar Faucet



FEATURES & BENEFITS

- This Product Contains Less Than 0.25% Weighted Average Lead Content On Wetted Surfaces
- Metal Lever Handle
- Ceramic Cartridge
- Metal Pop-up
- Max Flow Rate 1.2GPM(4.5L/Min) At 60PSI (ASME A112.18.1/A112.18.1)

OPA-320C
Chrome Finish

OPA-320SS
Stainless Steel Finish

OPA-320ORB
Oil Rubbed Bronze Finish

Approvals:

Meets or Exceeds The Following:

- * ASME A112.18.1/CSA B125.1
- * NSF/ANSI 61
- * NSF/ANSI 372
- * IAPMO/cUPC
- * CA AB1953
- * EPA WaterSense
- * NSF/ANSI/CAN 61: $Q \leq 1$

TEL: 800-217-4603

Visit Our Web Site : www.omniprofaucets.com



Product Spec Sheet

OPA-320C

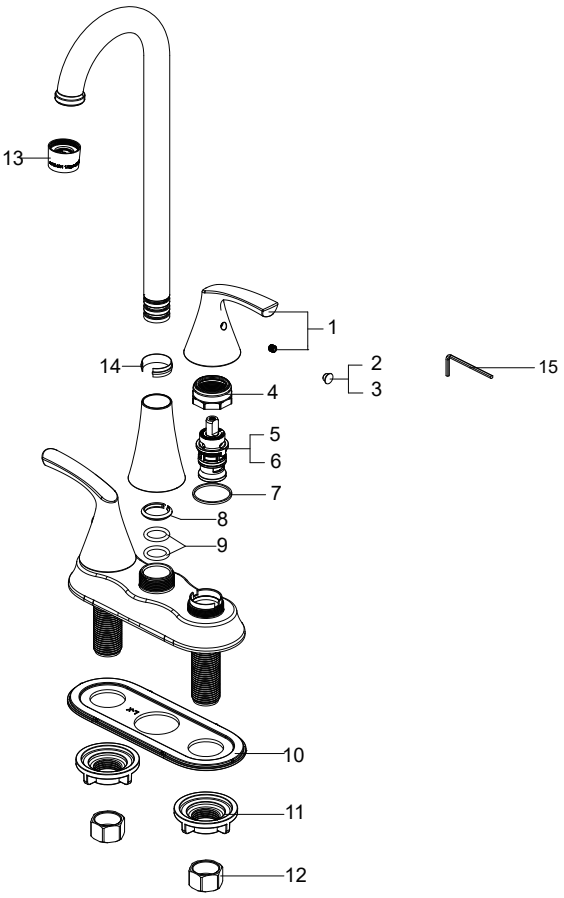
OPA-320SS

Omni**pro**

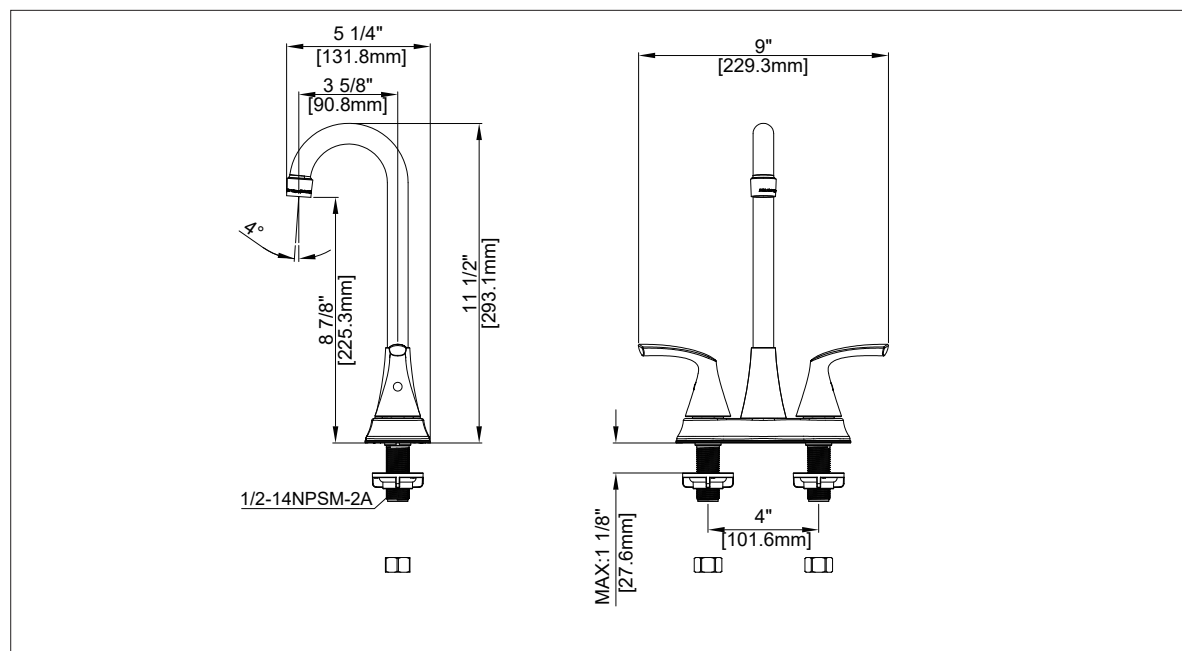
OPA-320ORB

4" Two Handle Centerset Bar Faucet

No.	Name	Part No.
1	Handle / Llave	RP13540*
2	Index H / Índice H	RP10004
3	Index C / Índice C	RP10005
4	Bonnet / Capuchón	RP70435
5	Cartridge H / Cartucho H	RP20067
6	Cartridge C / Cartucho C	RP20068
7	Washer / Arandela	RP64123
8	Clip / Sujetador	RP70106
9	O-ring / Aro tórico	RP60008
10	Gasket / Junta	RP80634
11	Mounting Nut / Tuer/Tuerca de montaje	RP56001
12	Coupling Nut / Tuerca de acoplamiento	RP56002
13	Aerator / Aireado	RP30267*
14	Washer / Arandela	RP70077
15	Hex Allen Wrench / Hex Llave Allen	RP70221



* Specify Finish
* Especifique el Acabado



TEL: 800-217-4603
Visit Our Web Site :
www.omniprofaucets.com

Product Spec Sheet