

CHESTERFIELD

Features

TWO-HANDLE BRIDGE FAUCET WITH PULL-DOWN

Solid brass construction
Brass valve bodies
Quarter-turn washerless ceramic disc valve cartridges
Swivel spout assembly with two-function, toggle-control spray engine
Magnetic docking system secures spray engine to spout
8.28" (21.0 cm) spout height at outlet
8.58" (21.8 cm) spout reach (c-c)
For 8" (20.3 cm) centers
ADA Compliant (Handles Only)
1.8 GPM (6.8 LPM) Max

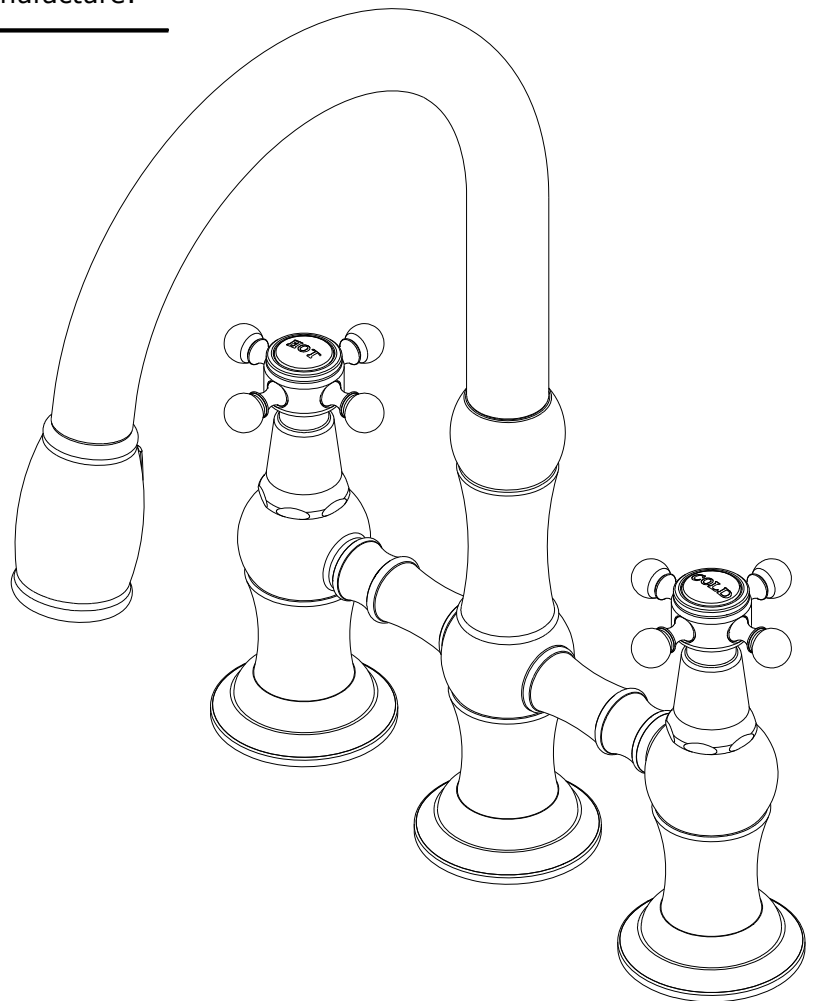
1030-5462



Codes / Standards Compliance

Meets or exceeds the following at date of manufacture:

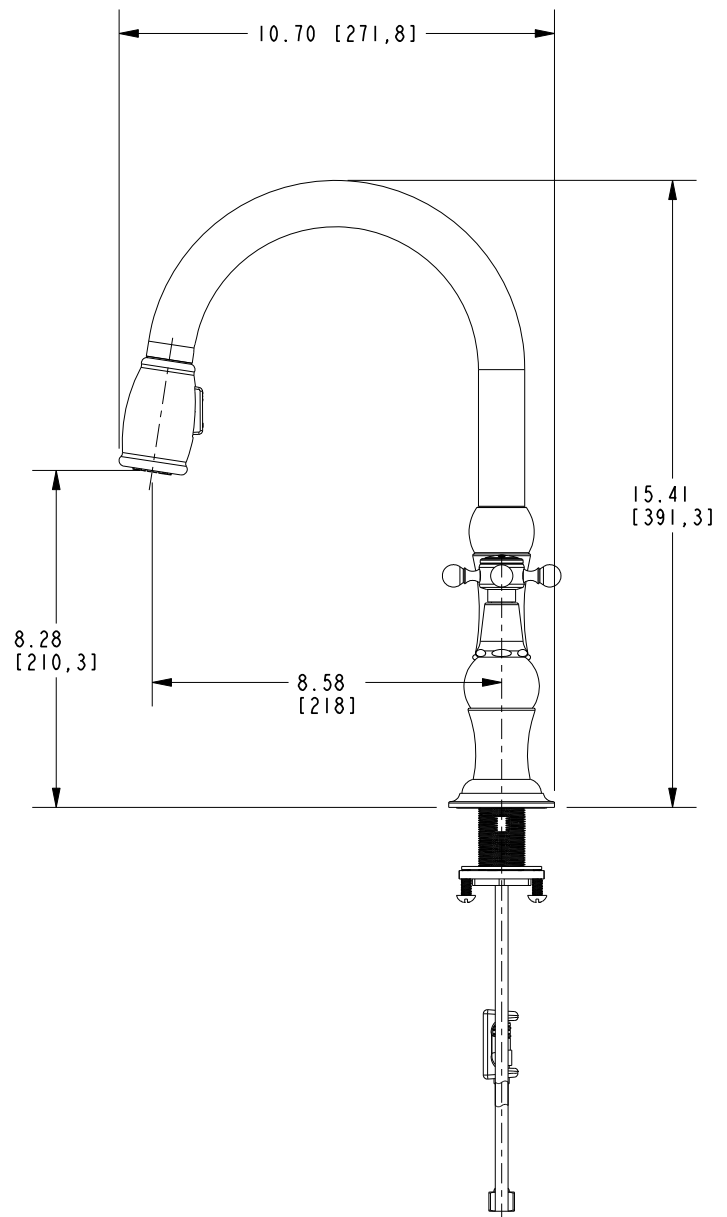
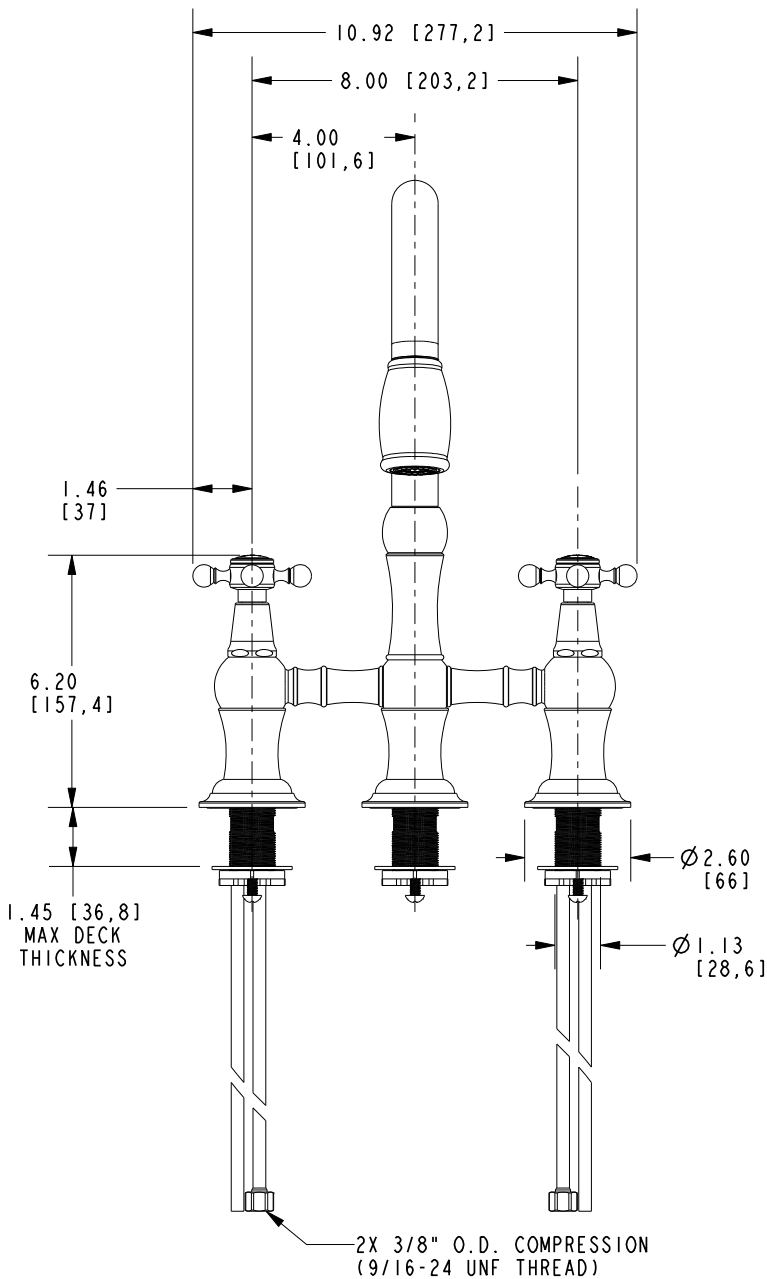
ASME A112.18.1/CAS B125.1
IAMPO/cUPC
NSF/ANSI/CAN 61, SECTION 9
NSF/ANSI 372
IPC
ADA&ICC/ANSI A117.1 (Handle Only)
Energy Policy Act of 1992
ASME A112.18.3 (Back Flow)
All applicable US Federal and State material regulations



1030-5462

PRODUCT DIMENSIONS (Units are in inches)

Product Dimensions are provided for reference only. For specific product installation guidelines, please reference the Installation Instructions of the product being installed.



TWO-HANDLE BRIDGE FAUCET WITH PULL-DOWN
1030-5462

Page 2 of 2
EN-4750
REV B

NEWPORT BRASS
Flawless Beauty. From Faucet to Finish.

t: 949.417.5207 | www.newportbrass.com
©2023 Brasstech, Inc.