

Features

- Solid brass construction
- Temperature-adjust handle for thermostatic valve
- Cross handle assembly for control valve
- Intended for use with Newport Brass rough valve(s) as specified (Required Accessory)
- ADA Compliant

Codes / Standards Compliance

Meets or exceeds the following at date of manufacture:

- ASME A112.18.1/CSA B125.1-18
- IAMPO/cUPC
- IPC
- ADA & ICC/ANSI A117.1
- All applicable US Federal and State material regulations

Colors / Finishes

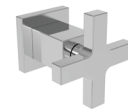
- 10B: Oil Rubbed Bronze
- 15: Polished Nickel
- 15S: Satin Nickel - PVD
- 26: Polished Chrome
- Other: Refer to the Newport Brass catalog for additional color/finish options.

Thermostatic Shower System Trim
3-2064TS

Also 3-577



3-2064TS



3-577

Specified Model

Model	Description	Colors Finishes				
3-2064TS	Thermostatic Shower System Trim	<input type="checkbox"/> 10B	<input type="checkbox"/> 15	<input type="checkbox"/> 15S	<input type="checkbox"/> 26	<input type="checkbox"/> Other
3-577	Shower System Control Valve Trim (Escutcheon/Handle)	<input type="checkbox"/> 10B	<input type="checkbox"/> 15	<input type="checkbox"/> 15S	<input type="checkbox"/> 26	<input type="checkbox"/> Other

Required Accessory

System Element	Shower Temp. Control	Flow Control Valve Option A		Flow Control Valve Option B***	
Description	Thermostatic	3-Outlet Diverter w/OFF		Single Outlet ON/OFF	
Inlet/Outlet Size	3/4"	1/2" (no share function)	1/2" (w/share function)	1/2"	3/4"
Part Number	1-540	1-701*	1-702**	1-606U	1-607U
Image					

Flow Control Option A: Select ONE (1-701 or 1-702) per system.

* 1-701 is a diverter valve with NO share function capability between outlets.

** 1-702 is a diverter valve with share function capability between primary outlet and each of the other two outlets.

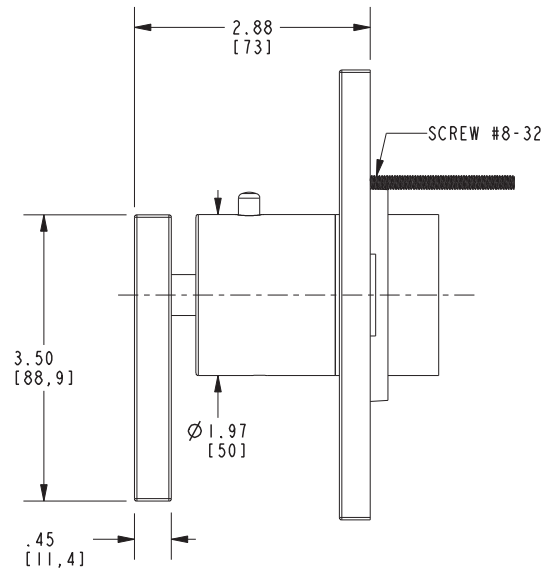
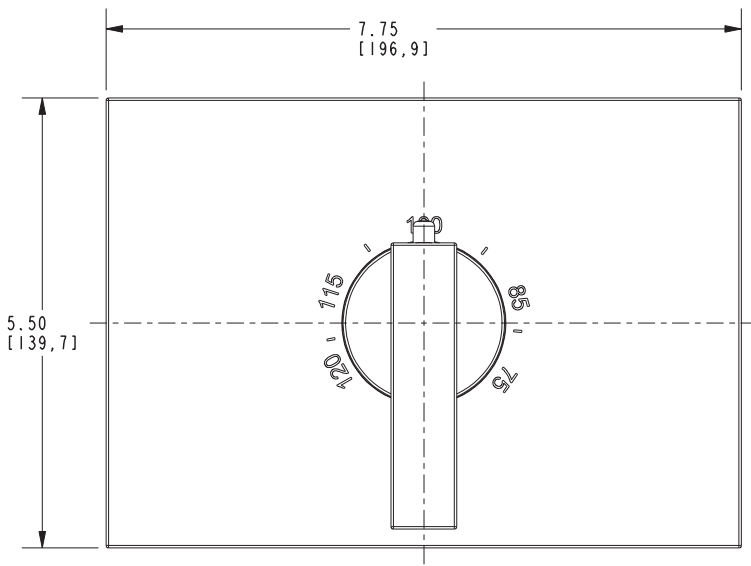
Flow Control Option B: Select ONE (1-606U or 1-607U) per each outlet fixture (ie showerhead, handshower, overhead soaker).

Product Specification Add "Color / Finish" suffix to Model number, below.

The Thermostatic Shower System Trim shall be made of solid brass construction. Thermostatic Shower System Trim shall include a faceplate and temperature-adjust handle. Shower System Control Valve Trim(s) (Escutcheon/Handle) shall be ADA compliant when used with specified Shower System Control Valve(s). Thermostatic Shower System Trim shall be Newport Brass Model 3-2064TS/____ and Thermostatic Shower System Valve shall be Newport Brass Model 1-540. Shower System Control Valve Trim (Handle/Escutcheon) shall be 3-577/____ and Shower System Control Valve(s) shall be 1-70____ (1 required) or 1-60____ (one required per outlet fixture).

3-2044TS

Product Dimensions are provided for reference only. For specific product installation guidelines, please reference the Installation Instructions of the product being installed.



NOTE: Product Dimensions for the Shower System Control Valve Handle Trim (Handle/Escutcheon can be found within the Spec Sheet for that specific part number.

Secant Thermostatic Shower System Trim 3-2044TS