

AYLESBURY

Tank Lever 2-645

Features

- Solid brass construction
- Traditional styling
- Lever handle design
- Front or side mount installation
- Requires a 5/8" x 5/8" (1.58 cm) square hole for installation (standard toilet tank hole size)
- Intended for use with 6-505 Tank Lever Mechanism (Required Accessory)
- Complements Aylesbury product series

Codes / Standards Compliance

Meets or exceeds the following at date of manufacture:

- All applicable US Federal and State material regulations

Colors / Finishes

- 10B: Oil Rubbed Bronze
- 15: Polished Nickel
- 15S: Satin Nickel - PVD
- 26: Polished Chrome
- Other: Refer to the Newport Brass catalog for additional color/finish options.



Specified Model

Model	Description	Colors Finishes
2-645	Tank Lever	<input type="checkbox"/> 10B <input type="checkbox"/> 15 <input type="checkbox"/> 15S <input type="checkbox"/> 26 <input type="checkbox"/> Other

Required Accessory

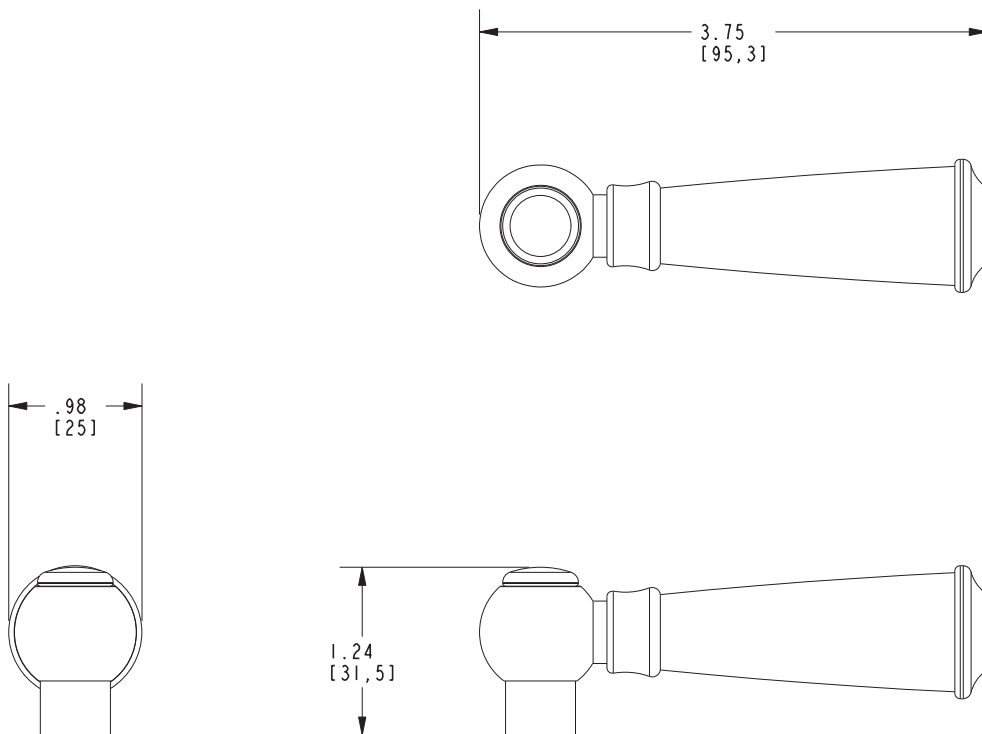
Description	Tank Lever Mechanicm	Colors Finishes
Part Number	6-505	<input type="checkbox"/> 10B <input type="checkbox"/> 15 <input type="checkbox"/> 15S <input type="checkbox"/> 26 <input type="checkbox"/> Other
Image		

Product Specification Add "Color / Finish" suffix to Model number, below.

The Tank Lever shall be of solid brass construction. Product shall complement Aylesbury product series by Newport Brass. Tank Lever shall be Newport Brass Model 2-645/___and Tank Lever Mechanism shall be 6-505/___.

2-645

PRODUCT DIMENSIONS *(Units are in inches)*



Aylesbury Tank Lever
2-645