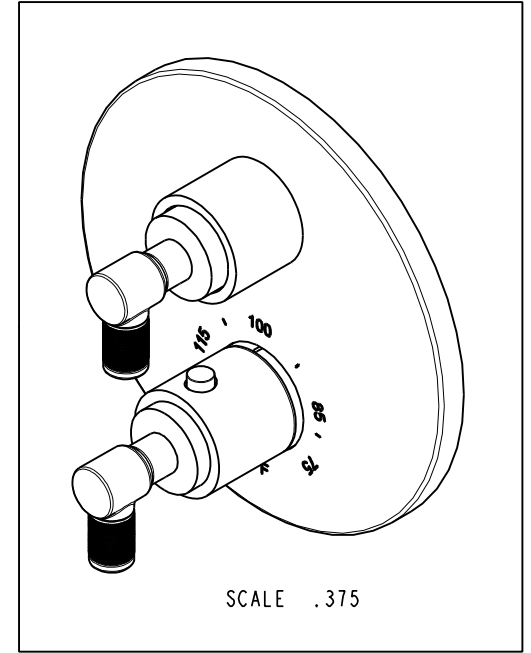
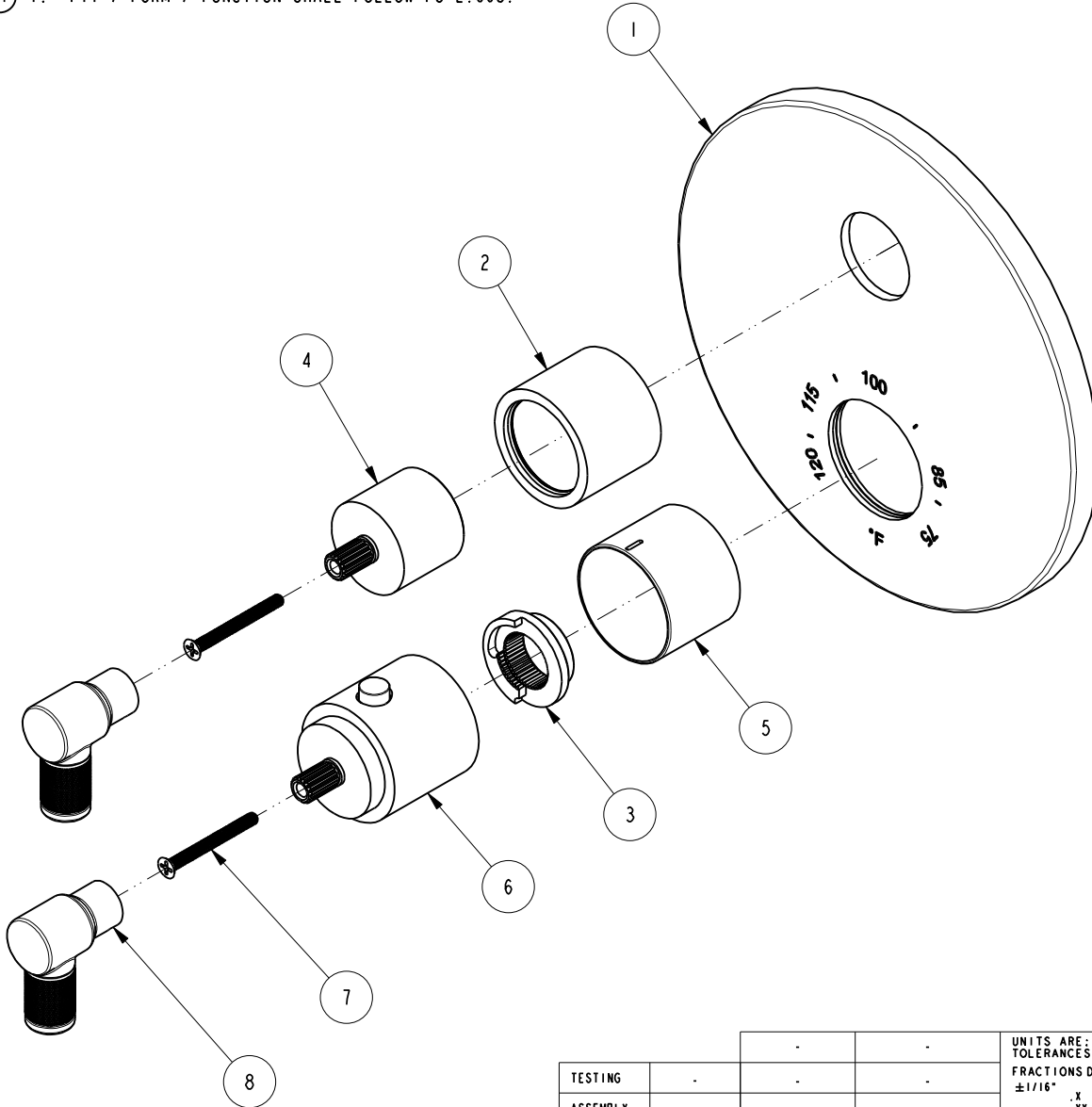


NOTES:

(NI) 1. FIT / FORM / FUNCTION SHALL FOLLOW PS-E.008.

BILL OF MATERIAL (CURRENT LEVEL)

ITEM	PT/ASSY	DESCRIPTION	TYPE	QTY.
1	20-116	TUB AND SHOWER PLATE ASM	ASSEMBLY	1
2	2-996	THREADED COLLAR ASM	ASSEMBLY	1
3	91308	TEMP LIMIT STOP - THERMO	PART	1
4	12348	HANDLE BONNET- CONT	PART	1
5	12345	SLEEVE - THERMO	PART	1
6	2-998	THERMO BONNET ASM	ASSEMBLY	1
7	92113	SCRW, M4 X .7 X 40 PHL FLT HD SS	PART	2
8	20-459	LEVER HANDLE ASM	ASSEMBLY	2



SCALE .375

COPYRIGHT 2005 BRASSTECH, INC. THESE DRAWINGS AND THE DESIGNS DEPICTED HEREIN ARE THE PROPRIETARY PROPERTY OF BRASSTECH. ANY USE OR REPRODUCTION IS SUBJECT TO THE EXPRESS APPROVAL OF BRASSTECH. UNAUTHORIZED USE IS STRICTLY PROHIBITED. ALL RIGHTS RESERVED.

TESTING	-	-	-
ASSEMBLY	-	-	-
PLATING	-	-	-
POLISHING	-	NEXT ASSY	USED ON
MACHINING	-	APPLICATION	
TOOLING FIXTURE #	REMOVE ALL BURRS AND SHARP EDGES		

UNITS ARE: INCHES [MM]		
TOLERANCES ARE:		
FRACTIONS	DECIMALS	ANGLES
±1/16"	.X ±.1 [2,5]	±1°
	.XX ±.06 [1,5]	
(X.XXX) DENOTES CRITICAL DIMS.		
ALL THREADS ARE CRITICAL		
DRAWN	JINSON	03/27/19
CHECKED	J.M.	03/27/19
APPROVED	J.M.	03/27/19

BRASSTECH 2001 CARNEGIE AVE.
INCORPORATED SANTA ANA, CA 92705
(949) 417-5207

1/2" THERMOSTATIC TRIM

DWG NO. 3-3253TR REV -

SCALE .438 REF. - SHEET 1 OF 3

EN-3478	03/27/19	J.M.
ZONE	REV	DESCRIPTION
		DATE
		APPROVED

4

3

2

1

D

D

C

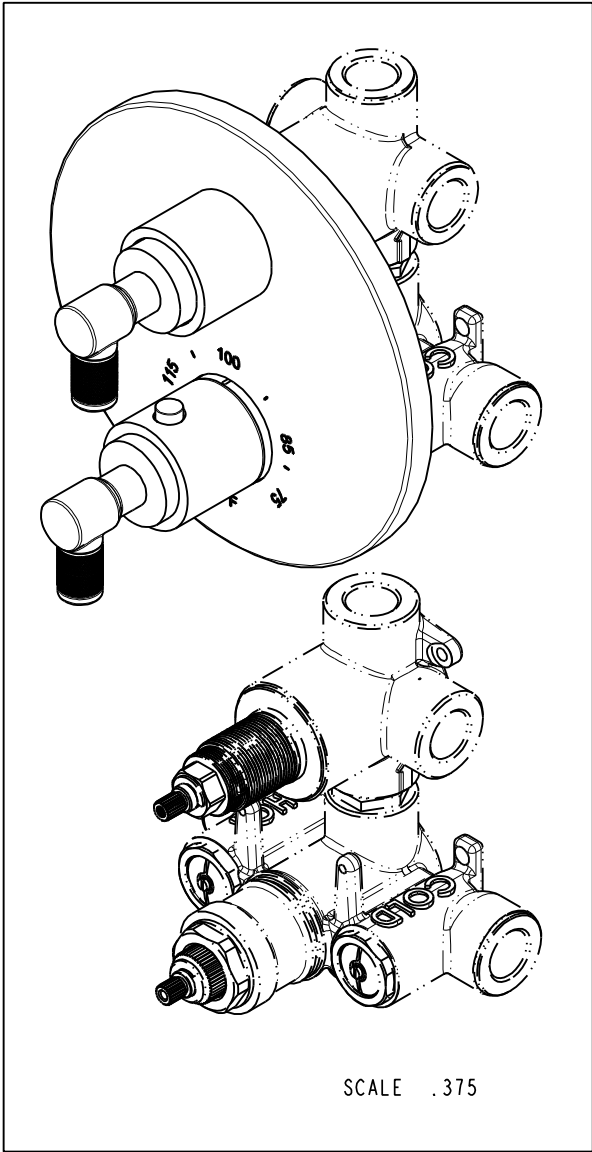
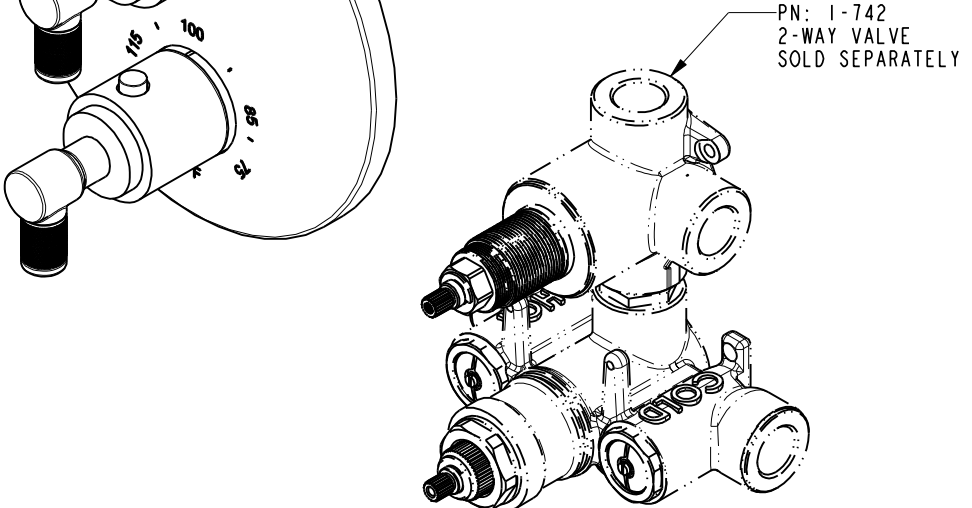
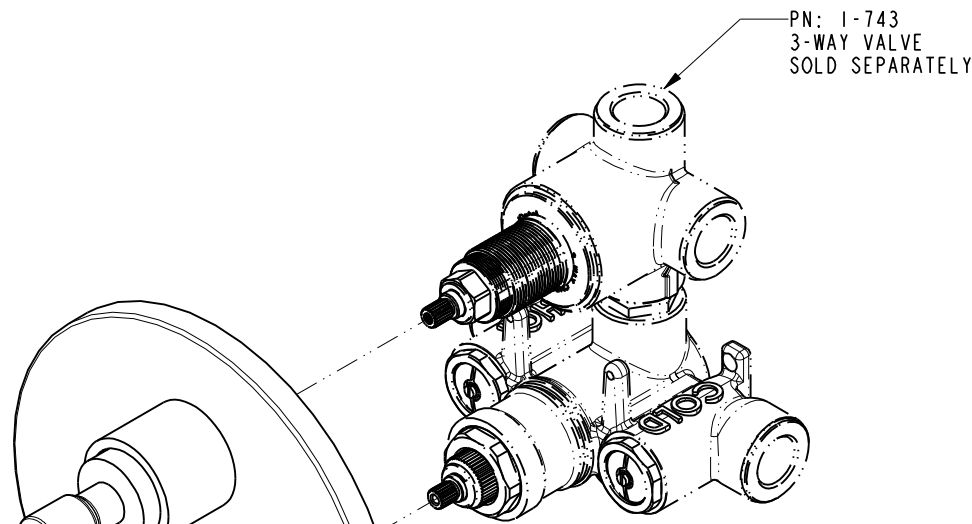
C

B

B

A

A



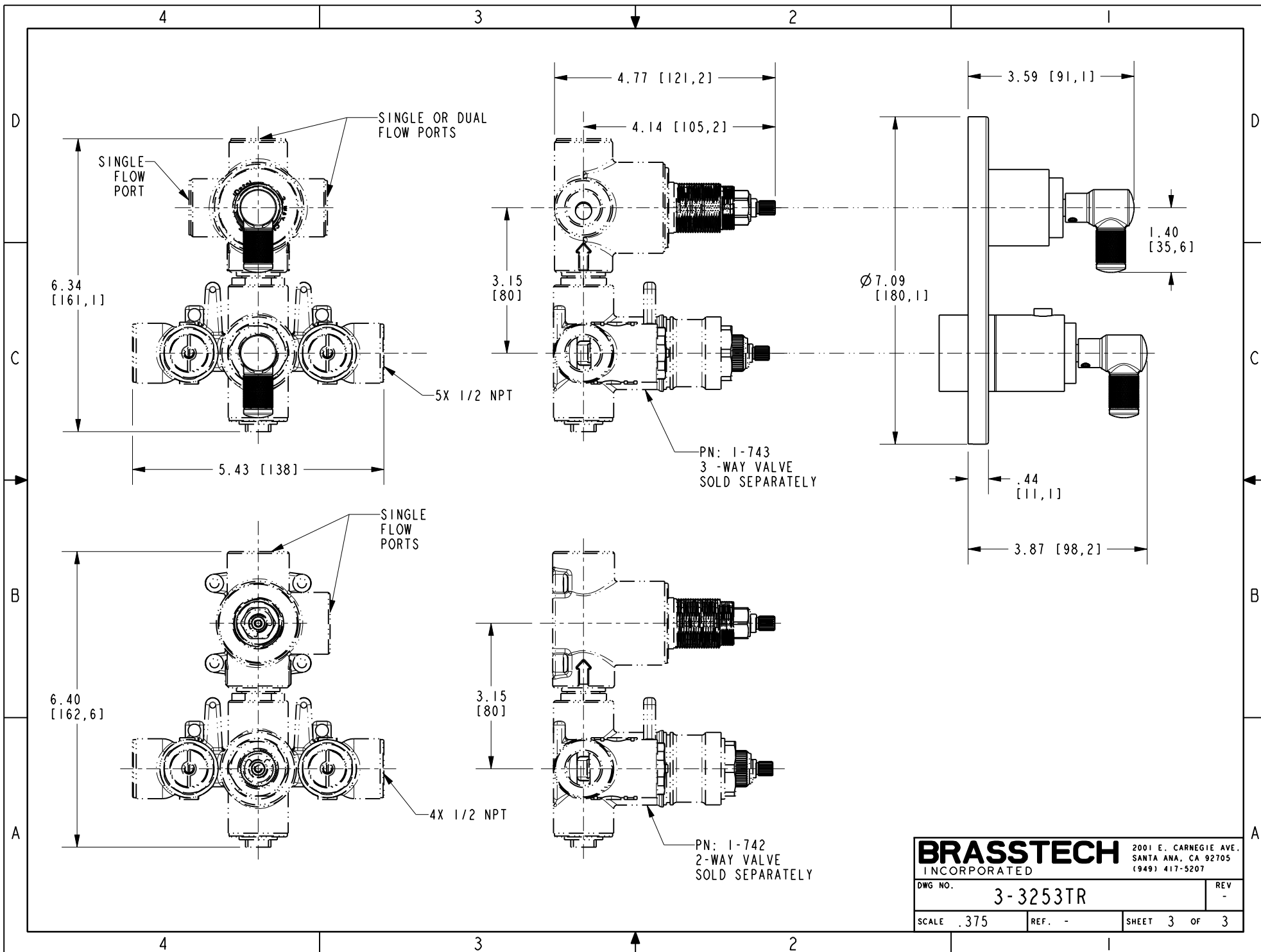
BRASSTECH		2001 E. CARNEGIE AVE. SANTA ANA, CA 92705 (949) 417-5207	
DWG NO.	3-3253TR		REV -
SCALE .375	REF. -	SHEET 2 OF 3	

4

3

2

1



BRASSTECH		2001 E. CARNEGIE AVE. SANTA ANA, CA 92705 (949) 417-5207
DWG NO.	3-3253TR	REV -
SCALE .375	REF. -	SHEET 3 OF 3