
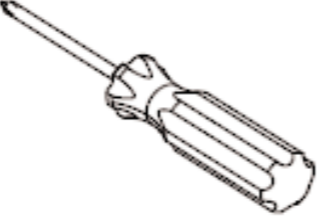

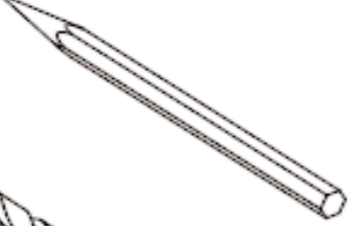

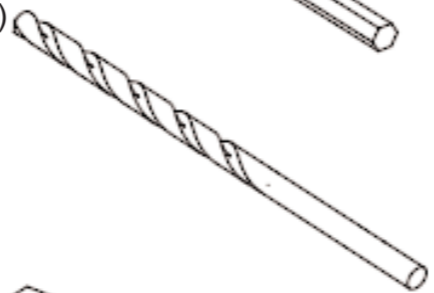

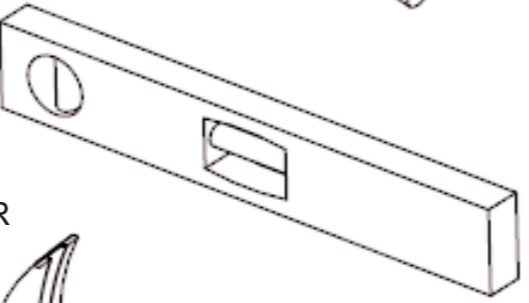

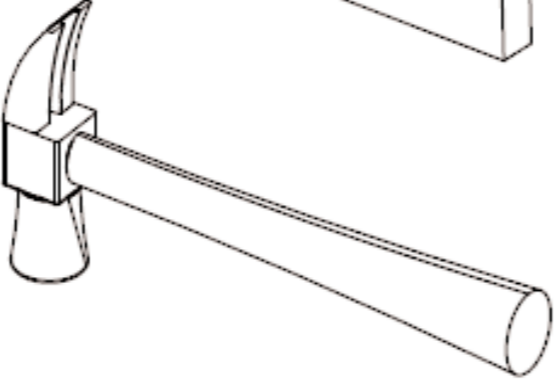




ITEMS INCLUDED		TOOLS REQUIRED	
DRY WALL ANCHOR	 X 2	PHILLIPS SCREW DRIVER	
TILE ANCHOR	 X 2	PEN / PENCIL	
#8 SCREW	 X 2	1/4" (6mm) DRILL	
MOUNTING BRACKET	 X 1	LEVEL SET	
M6 X 6 SET SCREW	 X 1	HAMMER	
3 MM ALLOY STEEL HEX KEY	 X 1		
TOWEL RING	 X 1		

INSTALLATION INSTRUCTIONS

3270-1410

TOWEL RING

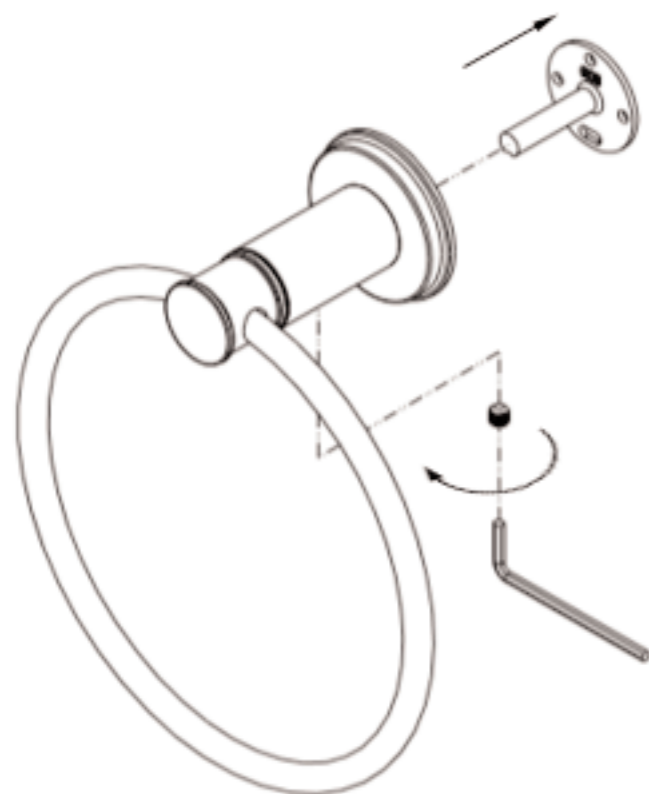


2001 CARNEGIE AVE, SANTA ANA CA 92705

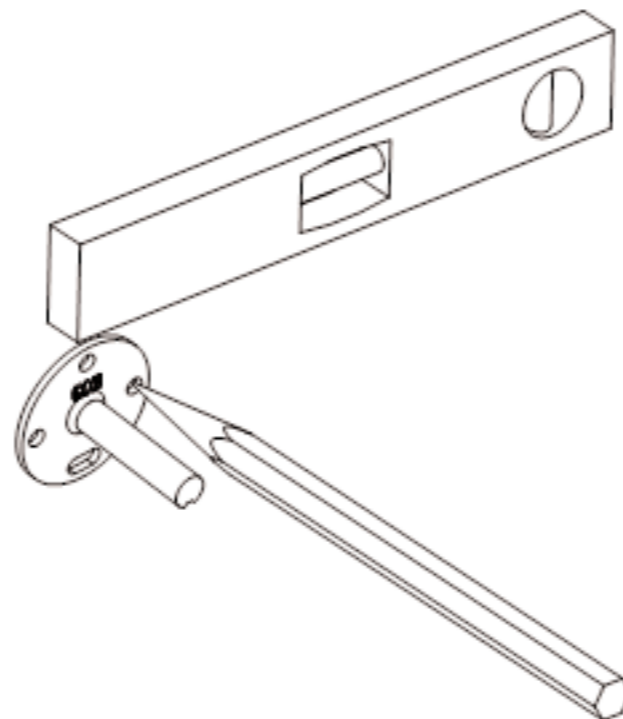
(949) 417-5207

WWW.NEWPORTBRASS.COM

① REMOVE MOUNTING BRACKET

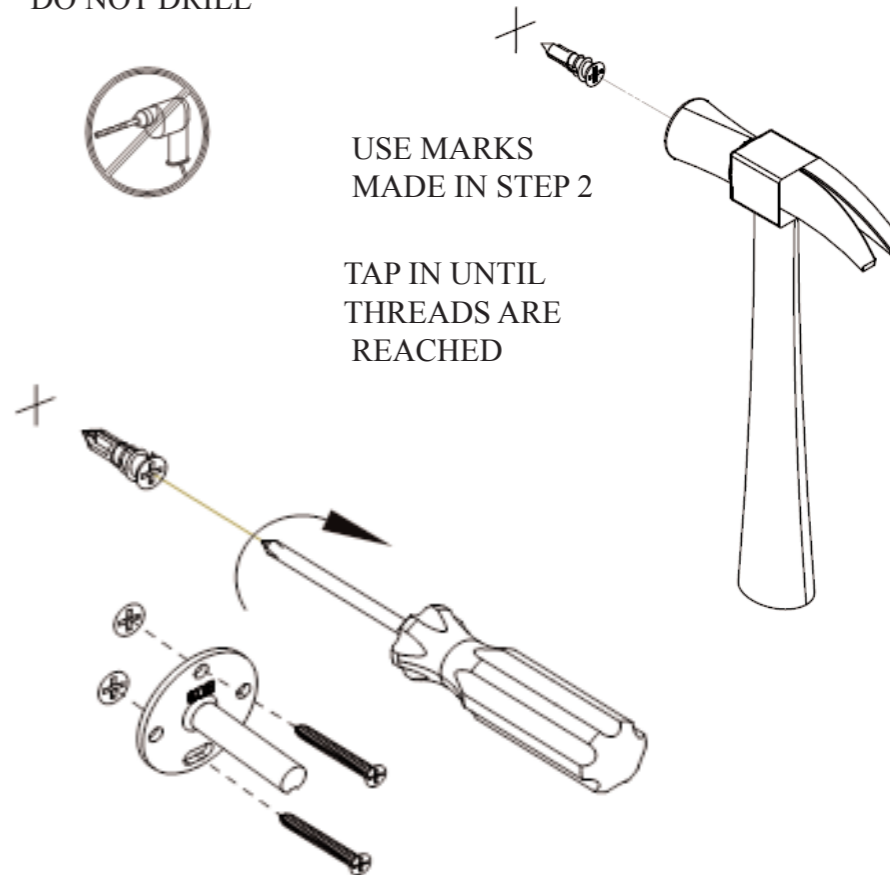


② ALIGN MOUNTING BRACKET AND MARK LOCATION

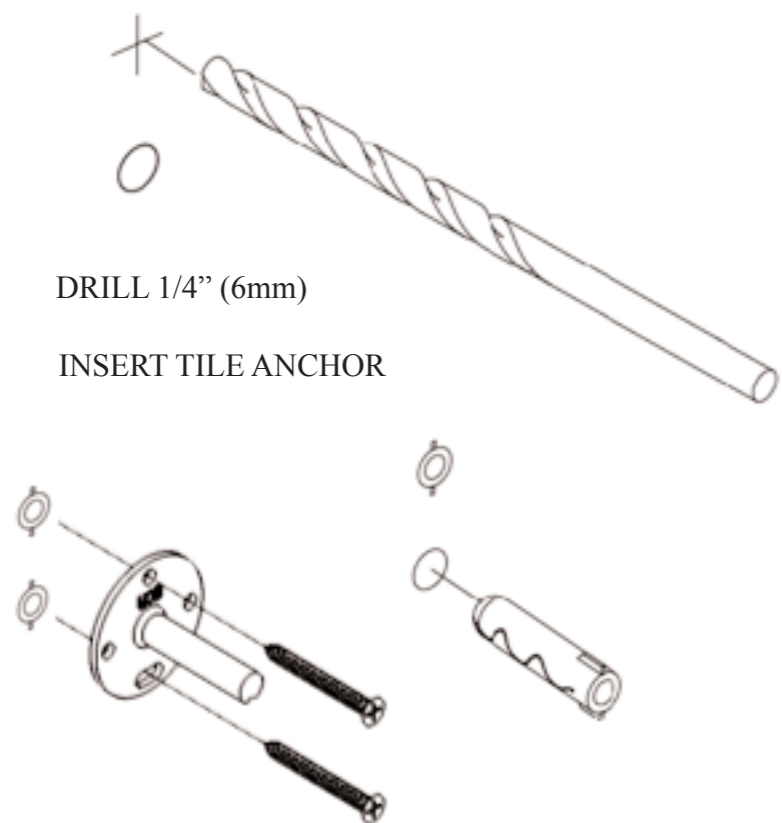


③ DRY WALL INSTALLATION

DO NOT DRILL



④ TILE OR SOLID WALL INSTALLATION
USE MARKS MADE IN STEP 2



⑤ INSTALL PRODUCT ONTO BRACKET

