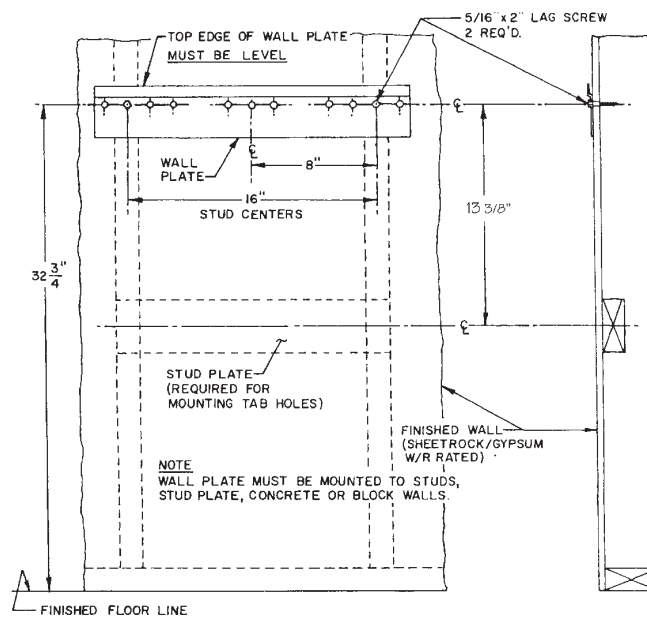
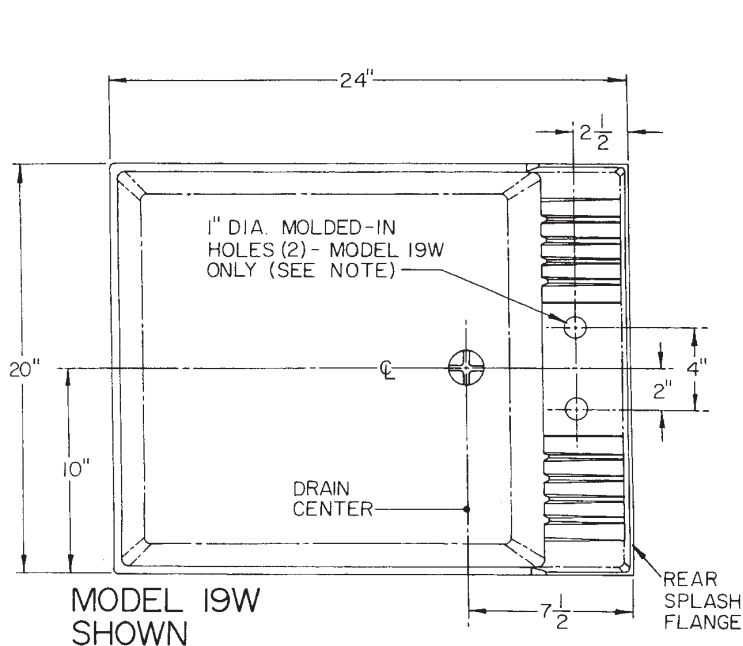


MODEL 18W (18WK) WALL MOUNTED 19W (19WK) LAUNDRY TRAY



TYPICAL STUD WALL INSTALLATION

NOTE:

The rear ledge of your Model 18W (18WK) **Durastone™ laundry tray** will accept many different faucets: 4" CenterSet on center, 4" CenterSet either right or left. 8" CenterSet on center. Depending on the model faucet you choose, the appropriate holes will have to be drilled. You will notice that there are five indented hole locators molded-in, on the underside of the rear ledge, do not cut out faucet holes until you have measured the actual faucet (some single lever faucets require a large center/supply hole and small diameter mounting holes). A 1" diameter, fine tooth hole saw with center drill pilot would normally be used for the majority of faucet hole drilling. Drill from underside of rear ledge to mark center, turn upright to finish cutting with hole saw.

1. Mount Wall Plate to wall using two 5/16" x 2" Lag Screws provided. Locate mounting holes, 1 1/4" below desired **Laundry Tray** height - add 5/8" for rear splash flange, locating Wall Plate as shown in "Typical Stud Wall Installation" positions front rim edge of **Laundry Tray** - 34" from floor line;
Hole size:
Wood walls - Drill 3/16" diameter holes in wall studs. **STUD PLATE** will be required for mouting tab holes.
Cement/Masonry Walls - Drill 3/8" diameter holes for Anchors provided.
2. Turn **Laundry Tray** upside down on clean, smooth surface, assemble Molded Side Fillers - insert tab into slot under rear ledge, position bottom plate on molded lug of **Laundry Tray**, insert Drive Rivets, hammer to lock in place.
Turn **Laundry Tray** upright.
3. Place rear ledge of **Laundry Tray** into Wall Plate and apply pressure downward, to seat.
4. Mark location of each molded side filler mounting tab holes. Remove **Laundry Tray** and follow anchoring procedures as outlined in Step 1. Reinstall **Laundry Tray**. Be sure to use the 5/16" diameter Flat Washers under the heads of the 5/16" Lag Screws. The washers will keep the lag screws from digging into and possibly damaging the side filler tab.
5. Make 1 1/2" drain connection in full compliance with local code regulations, mount faucet and make water supply connections.

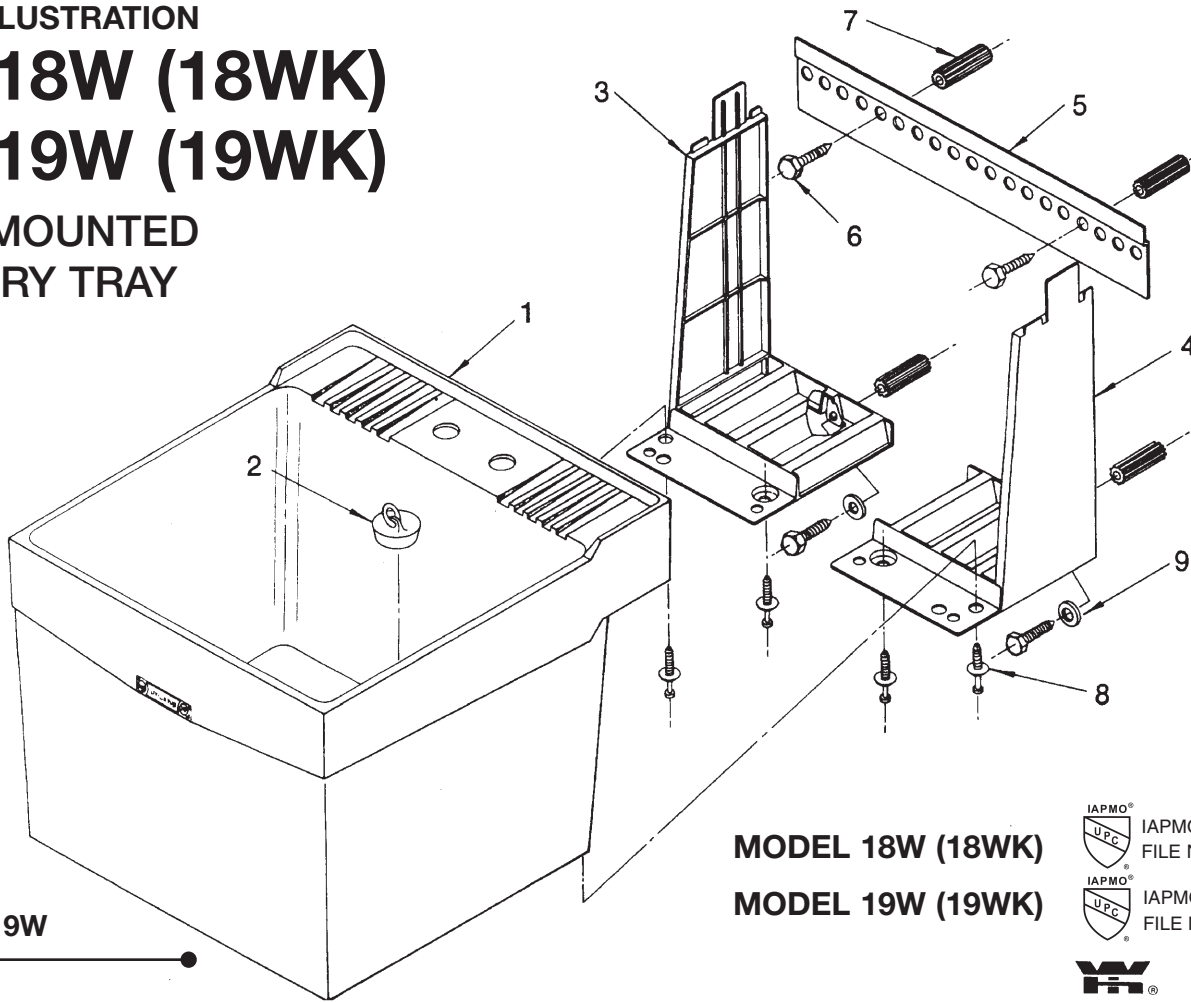
Cleaning Note:

Most stains that you may acquire in your Laundry Tray Model 18W (or 19W) may be removed with common household cleanser or liquid cleaner, stubborn stains may be removed with a bleach solution – follow bleach manufacturers recommended procedures pertaining to safety, handling and use of their product.

PARTS ILLUSTRATION

**MODEL 18W (18WK)
19W (19WK)**

**WALL MOUNTED
LAUNDRY TRAY**



MODEL 18W (18WK)

MODEL 19W (19WK)

IAPMO®
UFC IAPMO® LISTED
FILE NO. 0820

IAPMO®
UFC IAPMO® LISTED
FILE NO. 0635



**MODEL 19W
SHOWN**

PARTS LIST			
KEY NO.	PART NO.		DESCRIPTION
	MODEL 18W (18WK)	MODEL 19W (19WK)	
1	18.101	19.101	Laundry Tray
2	*	*	Stopper - 1 1/2" Dia. (2 Required)
3	19.203	19.203	Molded Side Filler - Left Hand
4	19.202	19.202	Molded Side Filler - Right Hand
5	18.201	18.201	Wall Plate
6	*	*	Lag Screw, 5/16" x 2" (4 Required)
7	*	*	Anchor, Plastic, 5/16" (4 Required)
8	*	*	Drive Rivet (4 Required)
9	*	*	5/16" Flat Washer (2 Required)
10	*	*	1 1/2" Tailpiece Washer (Not Shown)
11	*	*	1 1/2" Thrd. Slip Nut (Not Shown)

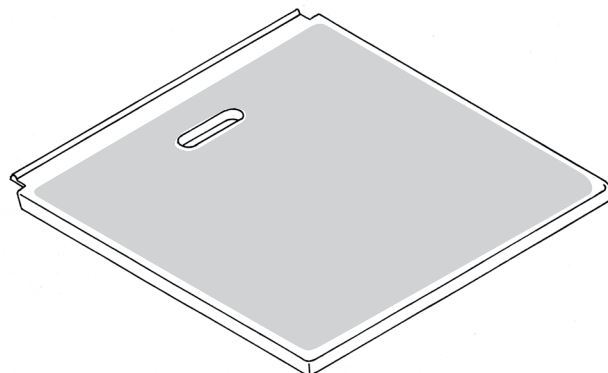
* NOTE: FOR REPLACEMENT HARDWARE, ORDER COMPLETE PARTS PACKAGE PART NO. 19.601. PACKAGES WILL NOT BE SPLIT FOR INDIVIDUAL PARTS.

NOTE:

Any type of transfer or sump pump must be supported by the floor or wall plus appropriate bracing for the waste lines. **DO NOT RELY SOLELY ON THE 1 1/2" MOLDED DRAIN THREAD CONNECTION.**

UTILATOP™ Laundry Tray Cover
Part No. 19.204 (Order Separately)

Heavy-duty, molded thermoplastic cover fits Model 18 F/W and 19 F/W tubs.



E.L. MUSTEE & SONS, INC.

5431 West 164th Street • Brook Park, Ohio 44142