

BR008

ROUND FLAT BOTTOM FLUTED

DETAILS

Materials: Cast Metal

Installation Type: Drop-In or Undermount

Uses Standard 1.5" Drain, No Overflow

Each sink is hand-crafted; no two sinks will be the same

NOTE: Due to the handmade nature of the sink, dimensions are approximate and variations in the metal may be visible.

AVAILABLE FINISHES

	AB	Antique Bronze
	UB	Satin Unlacquered Brass
	WB	Satin White Bronze
	P	Polished White Bronze

AVAILABLE DRAINS

	D004	Grid Strainer
	D005	Lift and Turn
	D006	Pop-up w/ lift rod
	D011 - D017	Decorative Grid Strainers
	D101 - D720	Decorative Drains

INSTALLATION

Drain should be installed first.

DROP-IN: Cut opening large enough for the sink to be "dropped in" to countertop. **UNDERMOUNT:** Cuts in countertop are up to the discretion of the installer. Clips or other installation method must be provided by the fabricator/installer. Use 100% silicone to adhere sink to countertop. Clean any excess silicone from sink surface to avoid damaging the finish.

CARE

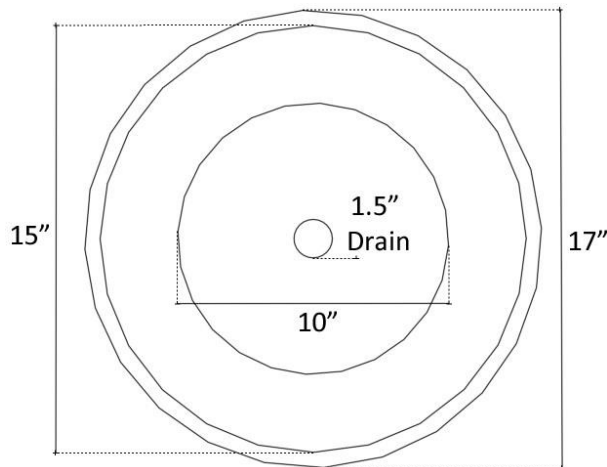
This sink has a living finish (in the copper [DB] and brass [UB, PB, AB] materials), which will change with time and use. Use mild soap and water for everyday cleaning. Avoid any harsh abrasives, acidic cleaning products and antibacterial hand soap. A paste wax may be applied periodically to protect the finish and help with water spotting.

WARRANTY

Linkasink warranties our product to be free from manufacturing defect for the life of the product. Warranty does not cover improper care or abuse/neglect, or changes to the living finish.



SHOWN IN AB



DIMENSIONS WILL VARY

DO NOT use this sheet as a guide for countertop cuts. Due to the handmade nature of each product, templates are not provided.