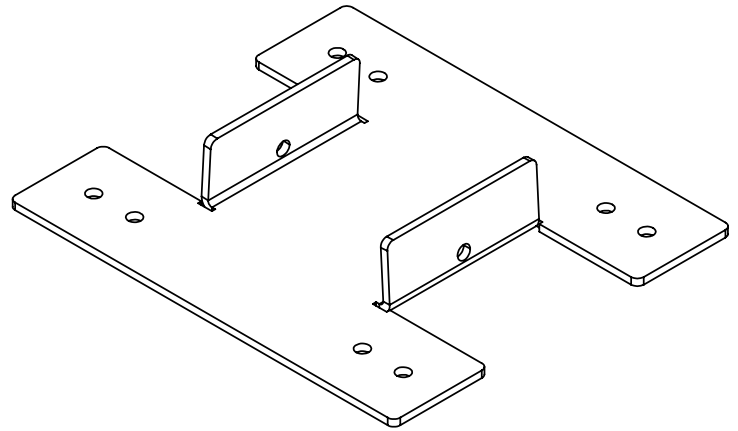
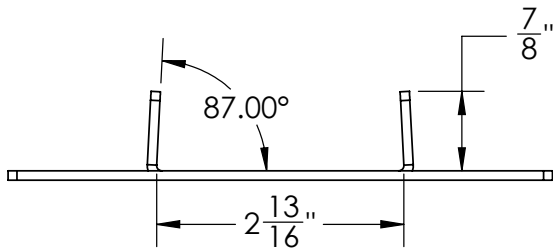
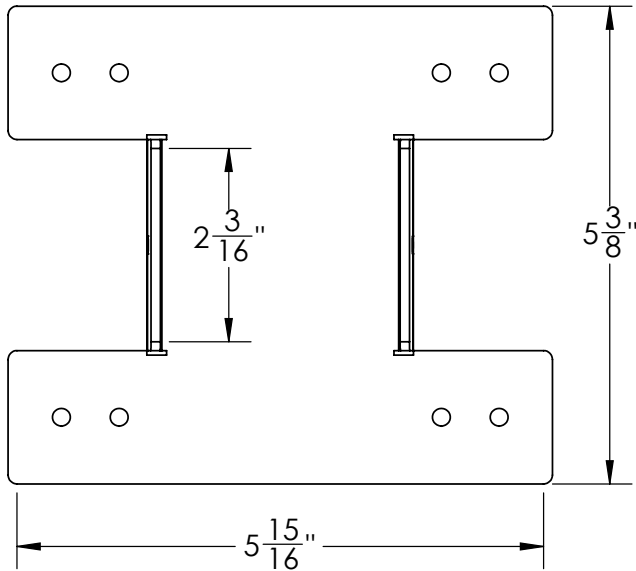


GFAS 65 Specifications ID Infinity Drain

GFAS 65:

- Outdoor anchor for G 65 channel
- 304 Stainless steel



Infinity Drain
145 Dixon Avenue
Amityville, NY 11701
Phone: 516.767.6786
Fax: 516.740.3066
www.infinitydrain.com



NOTE: Installer must verify all rough-in dimensions prior to installation and consult local and national codes. Conformity and compliance to local and national codes are the responsibility of the installer.