

PARTS & ASSEMBLY SHEET




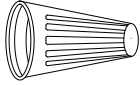
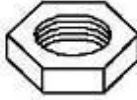


Fixture Name: Homestead 8606-BA3 BLK/PW

This fixture assembled PO: 3107 Date: 2019.03

Notice: Please review the parts listing and check for all parts before assembling the fixture. If any parts are missing or damaged, please note on this sheet and contact the place of purchase to arrange for replacement parts.

PARTS LIST

Company Name: _____ Co. Account #: _____
below to be filled out by retailer

Mounting Strap 1 ea Ø4**1.5mm		Junction Box Screw 2 ea #8-32N*H32mm		Mounting Screw 2 ea 5/32**H38mm	
Wire Connector 3 ea P3		Hex Nut 2 ea 5/32**H3.5mm		Deco Nut (Round) 2 ea 5/32"xH9mm	
Green Ground Screw 1 ea #8-32N*H10mm					

Part Needed _____

Quantity _____

Part Needed _____

Quantity _____

Reason why (missing, scratched, broken glass, bent, bad finish)

Comments _____

FIXTURE ASSEMBLY INSTRUCTIONS

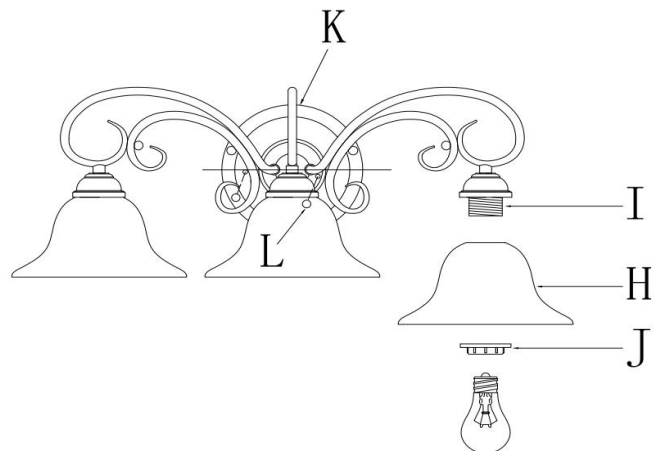
Read and review installation instruction sheet before assembling the fixture.

1. Place the fixture Back Plate (K), over the Mounting Screws (B), so it protrude through the hole in the Back Plate (K).
2. Thread the Deco Nuts (L) onto the Mounting Screws (B) and continue turning until the Back Plate (K) is snug against the wall .
3. Slide the Glass Shade (H) over Socket (I) and secure Glass Shade (H) by threading the Socket Ring (J) onto Socket (I) until tight.
4. Install light bulb to Socket (I) in accordance with the fixture's specifications .

(DO NOT EXCEED THE MAXIMUM WATTAGE RATING!)

8606-BA3 BLK/PW

Fig. 4



For Customer Service, contact the place of purchase to arrange for replacement parts.

INSTALLATION INSTRUCTIONS

Fixture Name: Homestead 8606-BA3 BLK/PW

For Wall Mount Light Fixture

WARNING ! SHUT OFF POWER AT FUSE OR CIRCUIT BREAKER.

HANGING THE FIXTURE(Fig.1)

1. Carefully remove the new fixture from the carton and the yellow bag that holds all your parts. Check that all parts are included as shown in the illustration and parts list.
2. Shut off power at the circuit breaker and remove the old fixture from wall, including the old mounting strap.
3. The Mounting Strap (A) contains several pairs of threaded holes, find the pair of holes that match the holes spacing in your fixture Back Plate (K) and thread the two Mounting Screws (B) half way into the Mounting Strap (A).
4. Place the Mounting Strap (A) over the Junction Box (E) so the Mounting Screws (B) are vertical or horizontal, as required by fixture type.
5. Attach the Mounting Strap (A) to the Junction Box (E) by using the two Mounting Screws(D). Tighten the screws securely.

CONNECTING THE WIRES (Fig. 2)

6. Attach the power supply wires to the fixture lead wires by connecting BLACK to BLACK (or SMOOTH) and WHITE to WHITE (or RIBBED).
7. Attached the GROUND wire (GREEN or COPPER) from the Junction Box and the fixture Ground wire to the green Ground Screw on the Mounting Strap (B) or connect both wires together using the correct size of wire connectors

NOTE: Twist the wires together in the same direction you twist the wire connector onto the wires.

8. Tuck these wire connections neatly into the Junction Box.

FINISHING THE INSTALLATION (Fig. 3)

9. Place the fixture Back Plate (K), over the Mounting Screws (B), so it protrude through the hole in the Back Plate (K).
10. Thread the Deco Nuts (L) onto the Mounting Screws (B) and continue turning until the Back Plate (K) is snug against the wall .
11. Slide the Glass Shade (H) over Socket (I) and secure Glass Shade (H) by threading the Socket Ring (J) onto Socket (I) until tight.

(DO NOT EXCEED THE MAXIMUM WATTAGE RATING)

Fig. 1

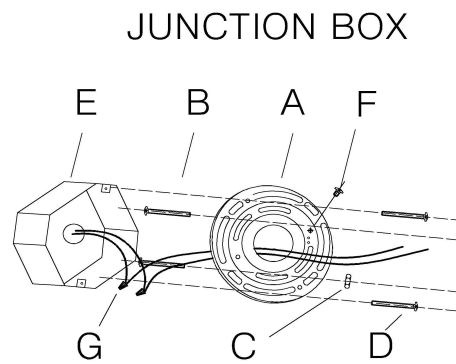


Fig. 2

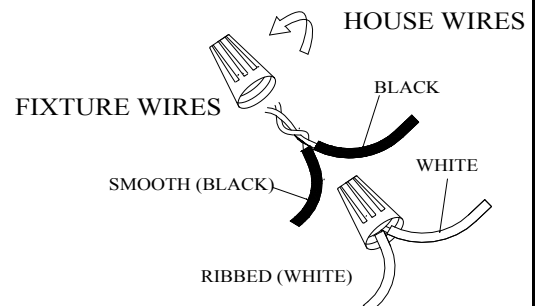
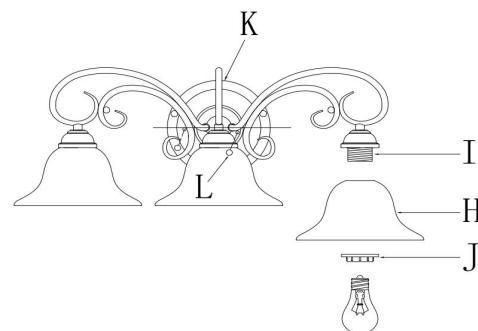


Fig. 3



For Customer Service, contact the place of purchase to arrange for replacement parts.