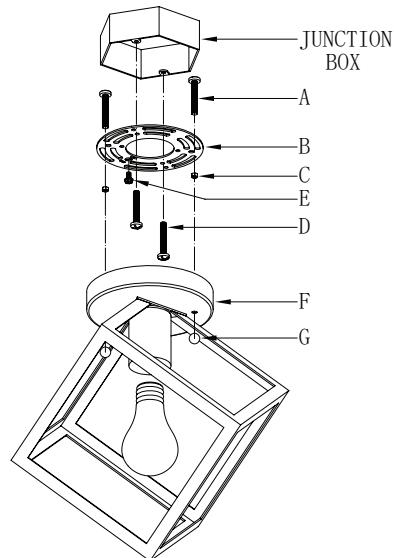
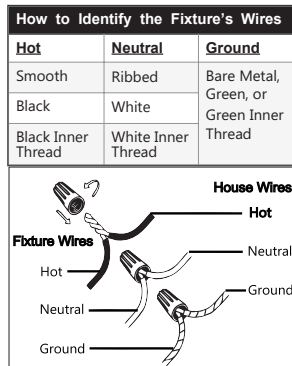


Assembly Instructions: 2086-FM

IMPORTANT:

- ALL INSTALLATION WORK SHOULD BE DONE BY ACCREDITED PROFESSIONAL.
- SHUT OFF POWER SUPPLY AT FUSE OR CIRCUIT BREAKER!
- USE ONLY THE SPECIFIED BULBS. DO NOT EXCEED THE MAXIMUM WATTAGE!

For Customer Service, please contact the place of purchase.



PREPARING FOR INSTALLATION

Carefully remove the new fixture from the carton as well as the yellow bag that holds all of the parts. See the important notes above. Shut off power at the circuit breaker and remove old fixture from wall, including the old mounting strap.

1. From the parts bag remove the mounting strap (B) assembly. Mounting strap (B) contains several pairs of threaded holes, find the pair of holes that matches the spacing of the holes on the junction box. Two sets of mounting screws (A & D) should be attached to the mounting strap (B). You may need to tighten nuts (C) that hold mounting screws (A) in place. If the screws are not attached, please hold canopy (F) up to mounting strap (B). Line up the holes in canopy (F) with the holes in mounting strap (B) and insert mounting screws (A) into mounting strap (B) so that mounting screws (A) protrude through the holes in canopy (F). Mounting screws (A) are long, so please test the canopy against the mounting strap to see how far you should insert the screws. Remove the canopy and tighten nuts (C) onto mounting screws (A) to hold the screws in place. Place mounting strap (B) over the junction box. Secure mounting strap (B) to the junction box with mounting screws (D) and use a screwdriver to tighten the screw firmly. Pull house wires from the center of the mounting strap.

CONNECTING THE WIRES

2. Have an assistant support the fixture weight while completing the wiring. Cut away excess wire. Attach the fixture's wires to the house wires which were pulled earlier from the junction box through the mounting strap. Connect black to black (transparent wire with black inner thread or smooth); white to white (transparent wire with white inner thread or ribbed); ground to ground (green, transparent wire with green inner thread, or copper). Twist the ends of the wire pairs together, and then twist on a wire connector. Make sure all twists are in the same direction. If there is no ground wire (green or copper) coming from the junction box, locate ground screw (E) on the mounting strap and wrap the fixture's ground wire around the green ground screw (E). Use a screwdriver to secure ground screw (E) onto the mounting bracket. Tuck all wires neatly into the junction box.

FINISHING THE INSTALLATION

3. Hold canopy (F) over mounting strap (B) so that the holes in the mounting strap (B) line up with the holes in the canopy (F). Mounting screws (A) should protrude through the holes in the canopy (F). Thread the decorative nuts (G) onto the exposed threads of mounting screws (A) until canopy (F) is snug against the ceiling.

Install light bulb (not provided) in accordance with the fixture's specifications. Do not exceed maximum recommended wattage.

Your installation is complete. Turn on the power and test the fixture.

CLEANING TIPS

Treat the fixture gently! Regular cleaning will reduce the need for deep cleaning. For regular cleaning, turn off the light and wipe down the fixture with a clean lint-free cotton or microfiber cloth. Never spray cleaner directly onto the fixture. For deep cleaning, turn off the light and remove the glass prior to cleaning. Hand wash glass with warm water and mild detergent. Dry with a lint-free or microfiber cloth.