

Assembly Instructions: 1349-SF

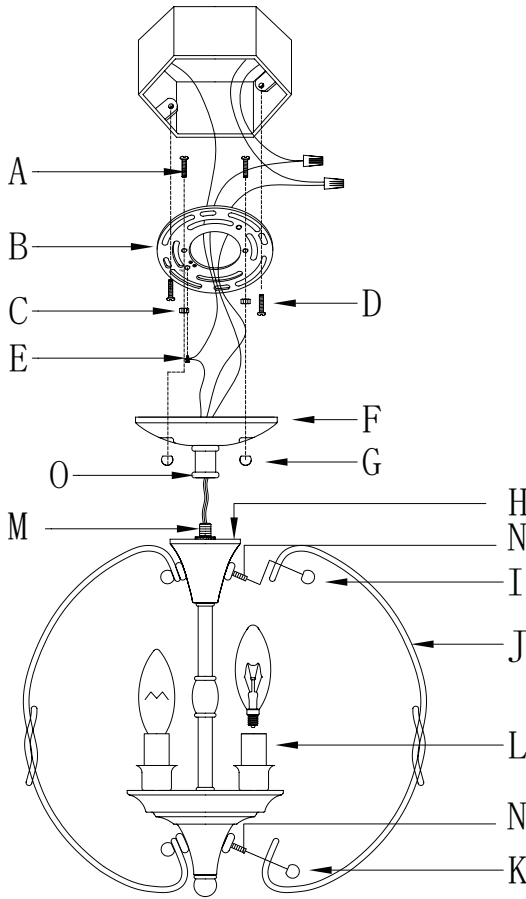
IMPORTANT:

- ALL INSTALLATION WORK SHOULD BE DONE BY ACCREDITED PROFESSIONAL.
- SHUT OFF POWER SUPPLY AT FUSE OR CIRCUIT BREAKER!
- USE ONLY THE SPECIFIED BULBS. DO NOT EXCEED THE MAXIMUM WATTAGE!

For Customer Service, contact the place of purchase to arrange for replacement parts.

PREPARING FOR INSTALLATION

Remove all of the contents from the carton. See the important notes above. Shut off the power at the circuit breaker and completely remove the old fixture from the wall, including the old mounting strap.



1. Mounting strap (B) contains several pairs of threaded holes. Find the pair of holes that matches the spacing of the holes on the junction box. Two sets of mounting screws (A & D) should be attached to mounting strap (B). You may need to tighten nuts (C) that hold these screws in place. If the screws are not attached, please hold canopy (F) up to mounting strap (B). Line up the holes in canopy (F) with the holes in mounting strap (B) and insert mounting screws (A) into mounting strap (B) so that mounting screws (A) protrude through the holes in canopy (F). Mounting screws (A) are long, so please test the canopy against the mounting strap to see how far you should insert the screws. Tighten nuts (C) onto mounting screws (A) to hold the screws in place. Pull the house wires through the center of mounting strap (B). Secure mounting strap (B) to the junction box with mounting screws (D) and a screwdriver. Tighten the screws securely.

2. Push the fixture wires found on the nipple (M) protruding from cap (H) up through the post (O) on the canopy and the canopy (F). Pull wires until taut. Thread the post (O) onto the nipple (M). Thread until secure.

ASSEMBLING THE FIXTURE

3. Attach the decoration arms (J) to the small nipples (N) found on the bottom sides of cap (H) and below the cluster of sockets. Secure the decorative arms (J) to these small nipples (N) with deco nuts (I & K).

CONNECTING THE WIRES

4. Have an assistant support the fixture's weight while completing the wiring. Refer to the wiring diagram and attach the fixture's wires to the power supply wires from the junction box. Connect Hot to Hot (transparent wire with black inner thread, black, or smooth wire) Neutral to Neutral (transparent wire with white inner thread, white, or ribbed wire), and Ground to Ground (transparent wire with green inner wire, green wire, or copper). Twist the ends of the wire pairs together, and then twist on a wire connector. Make sure all twists are in the same direction. If there is no house ground wire coming from the junction box, locate ground screw (E) on the mounting bracket/mounting strap and wrap the fixture's ground wire around the ground screw. Use a screwdriver to tighten the top of ground screw (E) onto the wires and into the mounting bracket/mounting strap. Tuck the wires into the junction box.

FINISHING THE INSTALLATION

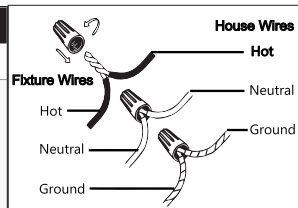
5. Raise canopy (F) up to the mounting strap (B) so that the holes in the mounting strap (B) line up with the holes in the canopy (F). Thread the deco nuts (G) onto exposed threads of the mounting screws (A) until canopy (F) is snug against the ceiling.

Install light bulbs (not included) into the sockets (L) in accordance with the fixture's specifications. Do not exceed the maximum recommended wattage.

Your installation is now complete. Turn on the power and test the fixture.

How to Identify the Fixture's Wires

Hot	Neutral	Ground
Smooth	Ribbed	Bare Metal, Green, or
Black	White	Green Inner Thread
Black Inner Thread	White Inner Thread	



CLEANING TIPS

Treat the fixture gently! Regular cleaning will reduce the need for deep cleaning. For regular cleaning, turn off the light and wipe down the fixture with a clean lint-free cotton or microfiber cloth. Never spray cleaner directly onto the fixture.