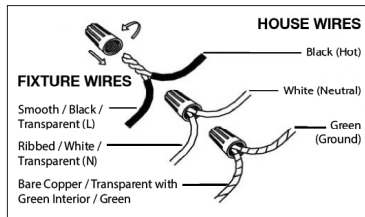


# Assembly Instructions: 1323-M1L (Ella)

## IMPORTANT:

- ALL INSTALLATION WORK SHOULD BE DONE BY ACCREDITED PROFESSIONAL.
- SHUT OFF POWER SUPPLY AT FUSE OR CIRCUIT BREAKER!
- USE ONLY THE SPECIFIED BULBS. DO NOT EXCEED THE MAXIMUM WATTAGE!

For Customer Service, contact the place of purchase to arrange for replacement parts.



## PREPARING FOR INSTALLATION

Remove all of the contents from the carton. See the important notes above. Shut off the power at the circuit breaker and completely remove the old fixture from the ceiling, including the old mounting strap.

From the parts bag remove the mounting strap assembly. One end of nipple (F) should be attached to mounting strap (A) with washer (C) and hex nuts (D) in place. The other end should have canopy loop (H) attached.

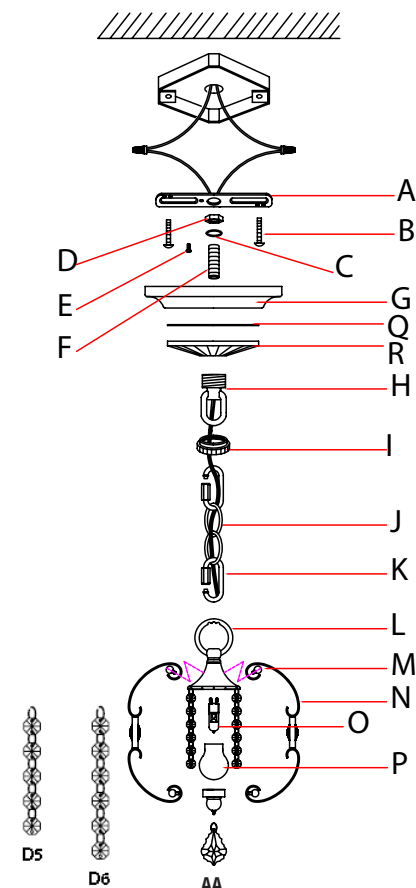
Attach mounting strap (A) to the junction box using mounting screws (B) and a screwdriver. Tighten securely. Unscrew canopy loop collar (I) from canopy loop (H). Pass crystal plate (R), metal disc (Q), and canopy (G) over the mounted canopy loop to test the height. Approximately half of the canopy loop's exterior threads should be exposed, and the canopy loop collar should fit snugly onto the canopy loop. Remove crystal plate (R), metal disc (Q) and canopy (G) and adjust the height of nipple (F) and canopy loop (H) until the desired height is reached.

## ASSEMBLING THE FIXTURE

Use decorative nuts (M) to attach arms (N). By measuring, determine the correct number of chain links needed for proper hanging height. If necessary, use a pair of pliers to open and remove any excess chain. Attach one chain connector (K) to each end of chain (J). Use one of chain connectors (K) to attach chain (J) to top loop (L) and close the chain connector. Feed the fixture's wires up through the chain (every three links or so), pulling the wires until taut. Slide canopy loop collar (H) and canopy (G) onto the chain/wire. Use the free chain connector (K) to attach chain (J) to canopy loop (H).

## CONNECTING THE WIRES

Have an assistant support the fixture's weight while completing the wiring. Cut away excess wire. Thread the fixture's wires through canopy loop and nipple. Attach the fixture's wires to the power supply wires from the junction box. Connect black to smooth/black/transparent (L) wire; white to ribbed/white/transparent (N) wire; and ground to ground (green or copper). Twist the ends of the wire pairs together, and then twist on a wire connector. Make sure all twists are in the same direction. If there is no ground wire (green or copper) from the junction box, locate ground screw (E) on mounting strap (A) and wrap the fixture's ground wire around the green ground screw (E). Use a screwdriver to secure ground screw (E) onto the mounting bracket/mounting strap. Tuck all wires neatly into the junction box.



## FINISHING THE INSTALLATION

Push crystal plate (R), metal disc (Q), and canopy (G) up to the ceiling and slide canopy loop collar (I) up beneath the crystal plate. Tightly thread canopy loop collar (I) onto canopy loop (H) to secure canopy (G) in place.

Install the provided halogen bulb (O) in accordance with the fixture's specifications.

**Bulb Note:** Use a tissue or paper towel to hold the bulb and push the bulb down into the socket. Oils and dirt can cause the bulb life to shorten. Rubbing alcohol is recommended for cleaning the bulbs. Cover bulb (O) with bulb shield (P).

Do not exceed the maximum wattage. Carefully hang the D5 and D6 crystal strands as depicted above. Hang AA crystal drop (T) onto finial (S).

Your installation is now complete. Turn on the power and test the fixture.

## CLEANING TIPS

Treat the fixture gently! Regular cleaning will reduce the need for deep cleaning. For regular cleaning, turn off the light and wipe down the fixture with a clean lint-free cotton or microfiber cloth. Never spray cleaner directly onto the fixture. Dry with a lint-free or microfiber cloth.

