

Assembly Instructions: 1270-11/13 (Multi-Family)

IMPORTANT:

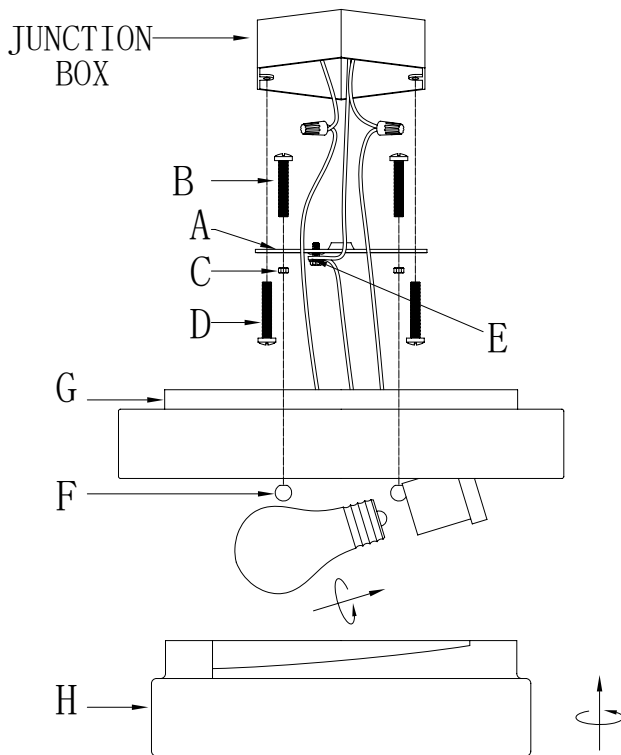
- ALL INSTALLATION WORK SHOULD BE DONE BY ACCREDITED PROFESSIONAL.
- SHUT OFF POWER SUPPLY AT FUSE OR CIRCUIT BREAKER!
- USE ONLY THE SPECIFIED BULBS. DO NOT EXCEED THE MAXIMUM WATTAGE!

For Customer Service, please contact the place of purchase.

PREPARING FOR INSTALLATION

Please see the important notes above.

1. Remove all of the contents from the carton. Remove the old fixture from the ceiling, including the old mounting strap.
2. Remove the mounting strap assembly from the parts bag. (Mounting strap (A) should have mounting screws (B) attached. You may need to tighten nuts (C) onto the screws.)
3. Place mounting strap (A) over the junction box so that mounting screws (B) are pointing down with the threads of the screws at the bottom.
4. Secure mounting strap (A) to the junction box with mounting screws (D) and a screwdriver.



CONNECTING THE WIRES

(Note: You may need an assistant to help hold the ceiling pan while completing the wiring.)

5. Attach the power supply wires from the junction box to the fixture's wires. Put black to black (or smooth); white to white (or ribbed); ground to ground (green or copper). Put the ends of the wire pairs together, then twist on a wire connector. Make sure all twists are in the same direction.

(If there is no ground wire (green or copper) from the junction box, locate ground screw on mounting strap (A) and wrap the fixture ground wire around green ground screw (E). Use a screwdriver to secure ground screw (E) onto the mounting bracket.)

6. Tuck all wires neatly into the junction box.

FINISHING THE INSTALLATION

7. Raise ceiling pan (G) to the ceiling and position mounting screws (B) through the openings of ceiling pan (G).
8. Secure ceiling pan (G) into place by twisting deco nuts (F) onto the exposed threads of mounting screws (B).
9. Install the light bulbs. (Note: Do not exceed the recommended wattage.)
10. Gently push glass shade (H) up to ceiling pan (G) and twist the glass counterclockwise to lock the glass in place.

Your installation is now complete. Turn on the power and test the fixture.

How to Identify the Fixture's Wires			House Wires
Hot	Neutral	Ground	
Smooth	Ribbed	Bare Metal, Green, or Green Inner Thread	Hot
Black	White		Neutral
Black Inner Thread	White Inner Thread		Ground

CLEANING TIPS

Treat the fixture gently! Regular cleaning will reduce the need for deep cleaning. For regular cleaning, turn off the light and wipe down the fixture with a clean lint-free cotton or microfiber cloth. Never spray cleaner directly onto the fixture.