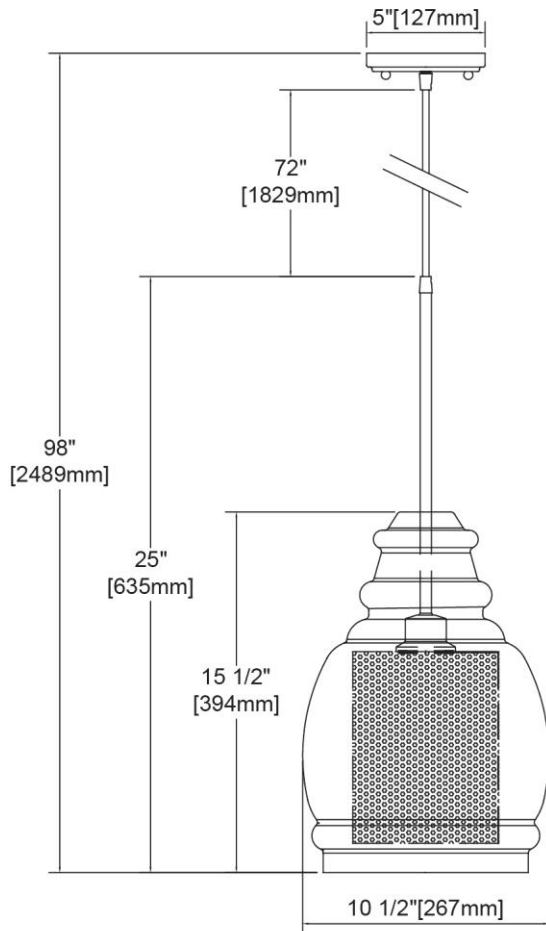




| | |
|--------------------|---|
| ITEM #: | 81425/1 |
| UPC | 748119141923 |
| Description | Herndon 1-Light Pendant in Polished Chrome with Clear Glass and Perforated Metal Cylinder |
| Finish | Polished Chrome |
| Materials | Glass, Steel |
| Brand | ELK Lighting |
| Collection | Herndon |
| Category | Indoor Lighting |
| Type | Pendant |

| ITEM DIMENSIONS | | | | RATINGS & SPECIFICATIONS | | | | |
|------------------------------|------------|--|-------------|---------------------------------|--|----------------|------------------------|-----------------------|
| Width | 11 inches | | | Safety Rating | UL | | Certification | Dry locations |
| Depth | 11 inches | | | ADA Compliant | N/A | | Voltage | 120 volts |
| Height | 16 inches | | | BULBS / SOCKETS | | | | |
| Weight | 7 pounds | | | Quantity | 1 | Wattage | 100 watts | |
| ADDITIONAL DIMENSIONS | | | | Included | No | | Type | A19 (E26 Medium Base) |
| Backplate / Canopy | 5 diameter | | | Other | N/A | | | |
| HCWO | N/A | | | CHAIN / CORD INFORMATION | | | | |
| Min. Extension | N/A | | | Chain | N/A | | Cord | 72 inches - Clear |
| Max. Extension | N/A | | | SHADE / GLASS DETAILS | | | | |
| OVERALL HEIGHT | | | | Shade/Glass Description | Clear Glass with Perforated Metal Cylinder | | | |
| Min. | 27 inches | | Max. | 98 inches | | | | |
| EXTENSION ROD(S) | | | | Width | 11 inches | | Height | 16 inches |
| Rods: 1-10 | | | | Width at Top | N/A | | Width at Bottom | N/A |



Rev. 12/12/2019