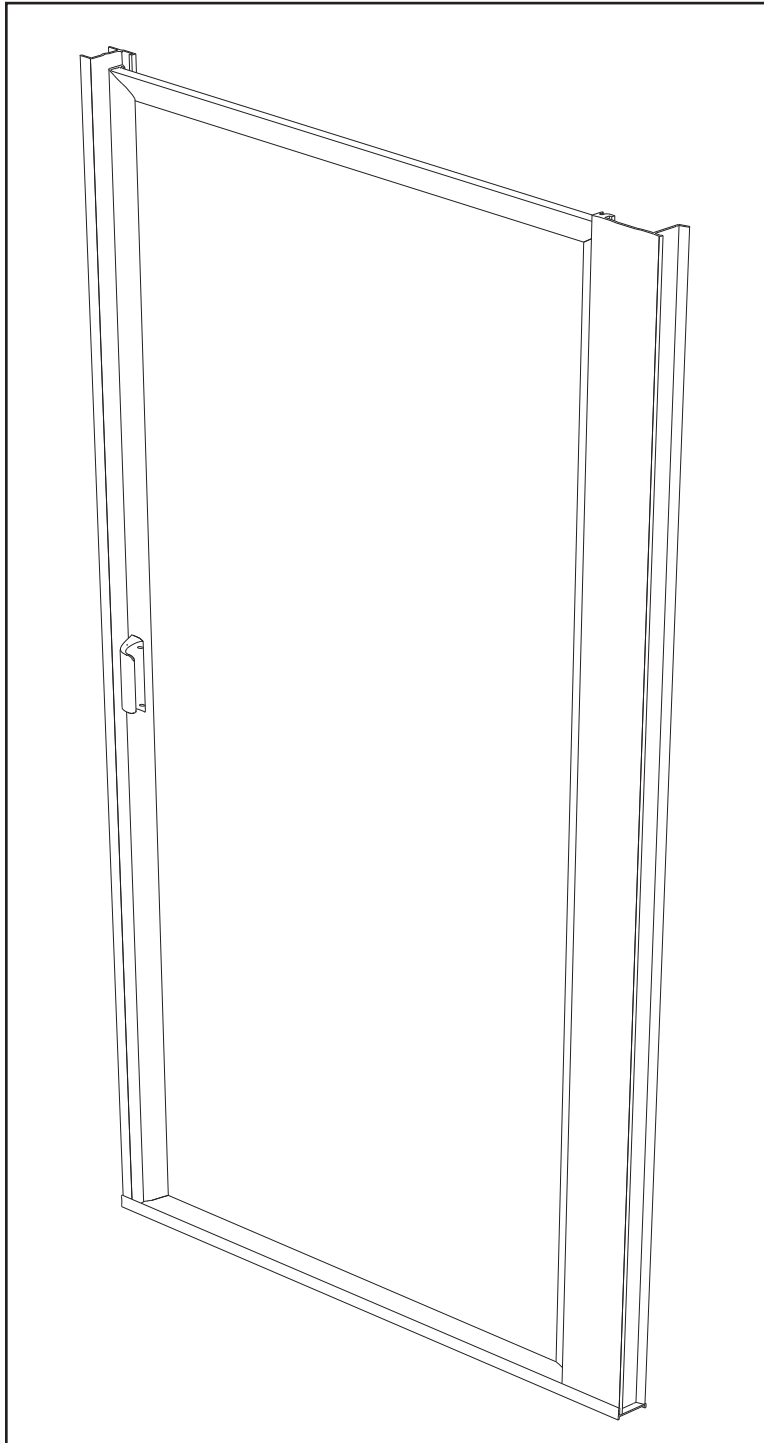
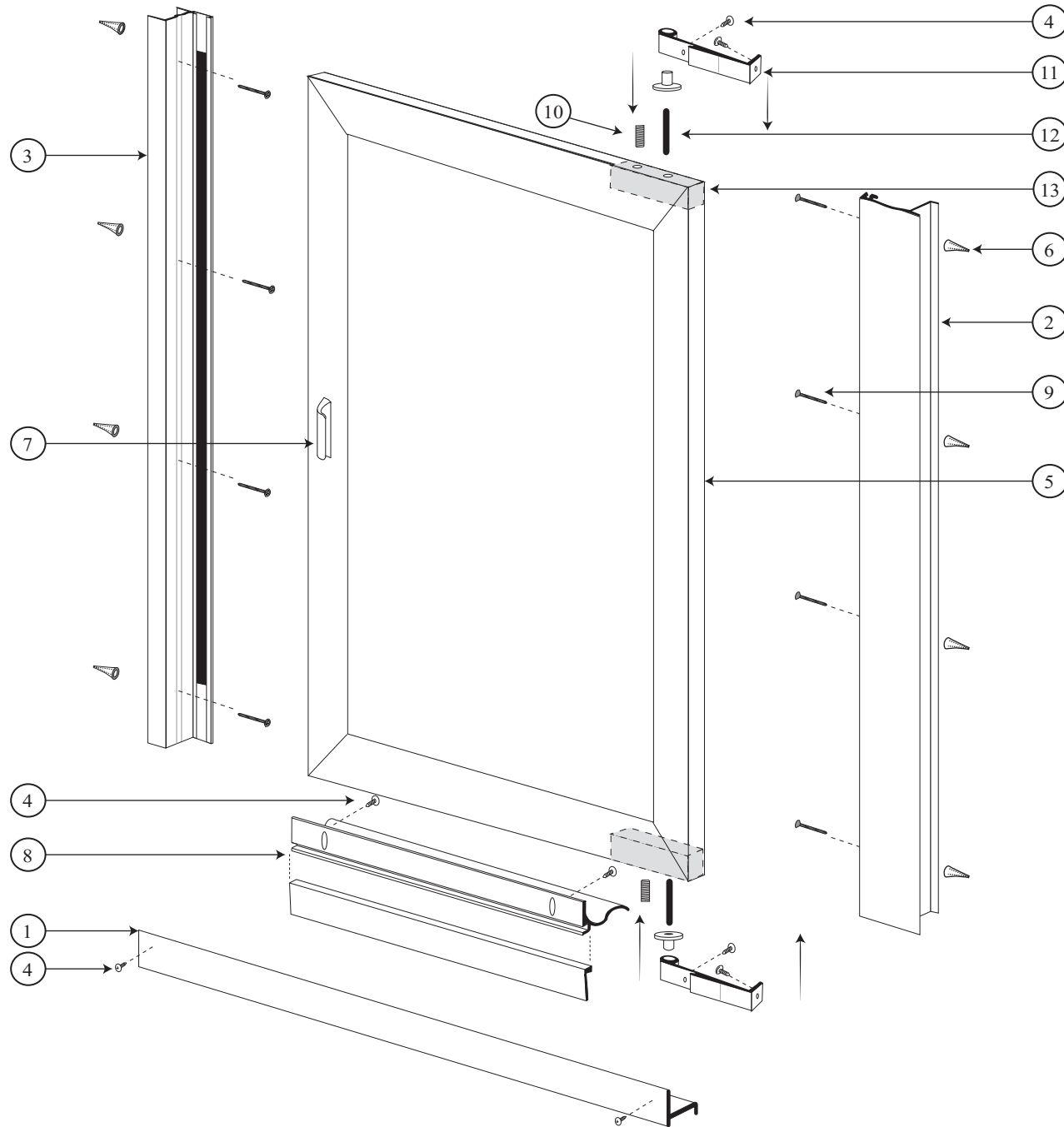


P-70

Lucette Hinged Framed Door Installation Guide



Detailed diagram of P-70 components

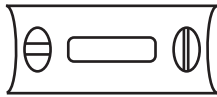


#	Part Name	Qty
1	Threshold	1
2	Wall channel upright	1
3	Magnetic striker upright	1
4	3/8" x 6 Tie-In screw	8
5	Glass door	1
6	Plastic wall mount anchors	8
7	Door handle assembly	2
8	Drip pan and vinyl sweep	1
9	1-1/4" wall mount flat head screws	8
10	3/8" set screws	2
11	Pivot bar	2
12	Pivot pin	2
13	Pivot key (installed)	2
14	Vinyl pivot bushing	2

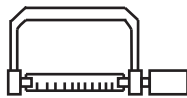
Tools required



Tape Measure



Level



Hacksaw



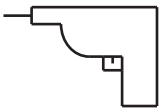
Safety glasses



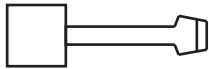
Drill bits (2) (#32 metal bit, 3/16" carbide masonry bit)



Masking tape



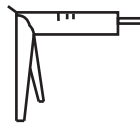
Drill



Flat head and
Phillips head
Screwdriver



Pencil/Marker



Caulking gun



Metalwork file



Scissors

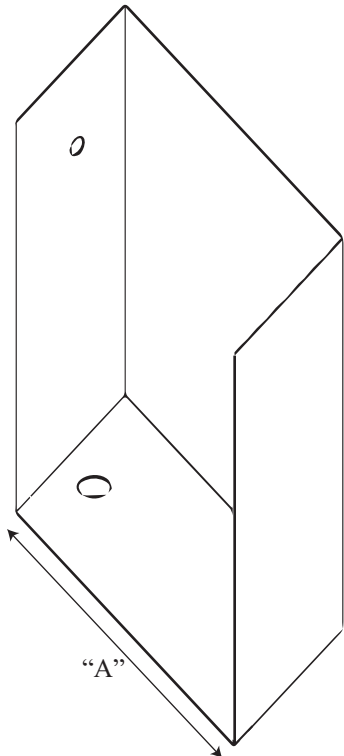


WARNINGS

- **Before starting, please read instructions carefully and thoroughly; then proceed step by step.
- **Please wear safety glasses and safety gloves whenever drilling or cutting tile or handling metal/glass parts.
- **When drilling through tile, carefully break through glazed surface only with sharp tool and then drill slowly.
- **Wall uprights must be installed level and plumb. Do not follow grout lines.
- **To insure complete customer satisfaction Century Bathworks recommends installation by a professional.
- **Risk of injury or product damage. Two people should perform this installation.
- **Do not cut the top and bottom track the same length for this installation.
- **Please carefully unpack all parts for your unit as listed on previous page and also check that you have all the tools as listed above.
- **If any parts are missing or damaged, please contact Century Bathworks or your dealer for replacements.



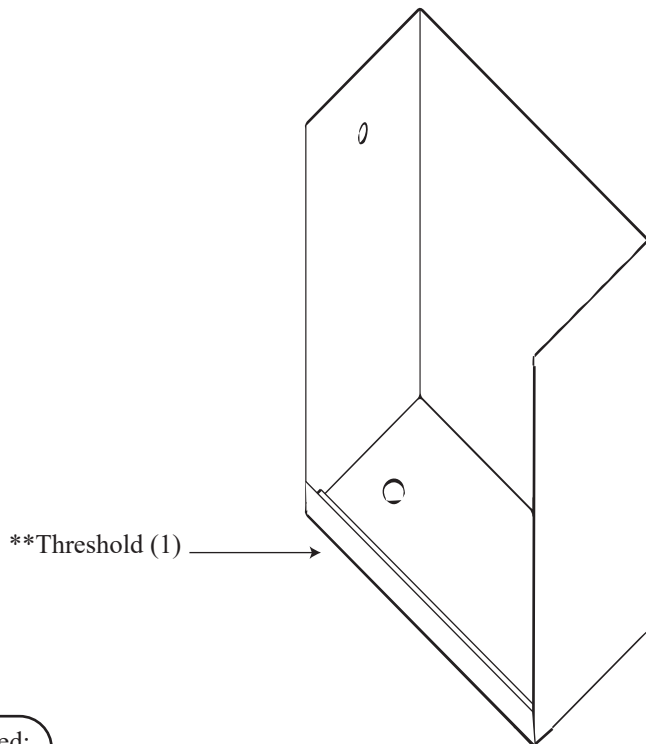
1



Required:
Tape measure

- Measure "A" and note distance between the walls at the base.

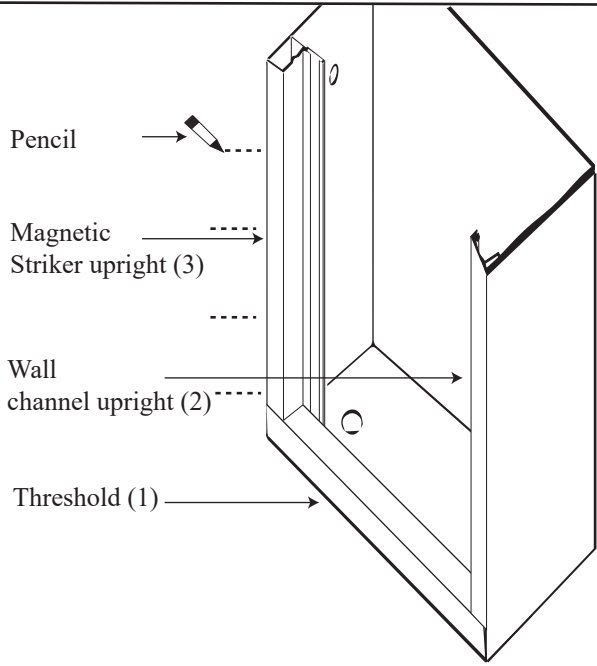
2



Required:
Hacksaw

- Consider the length "A" and cut the threshold accordingly.
- Place the threshold on the base as shown.
- ** Flat long side of threshold must face to the outside of shower.

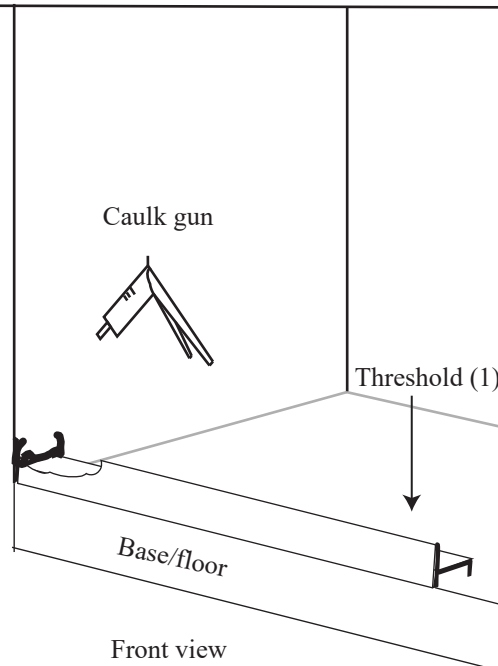
3



Required:
Pencil/marker, masking tape, 3/16" carbide masonry bit, drill, level

- Place magnetic striker and wall channel upright on the threshold against wall. Hold in place with masking tape. Make sure it is level and plumb. Mark the holes on the wall using a pencil or marker.
- Remove the uprights and threshold and drill holes with 3/16" carbide-tipped masonry bit.
- Insert plastic wall anchors. Remove all the wall debris.

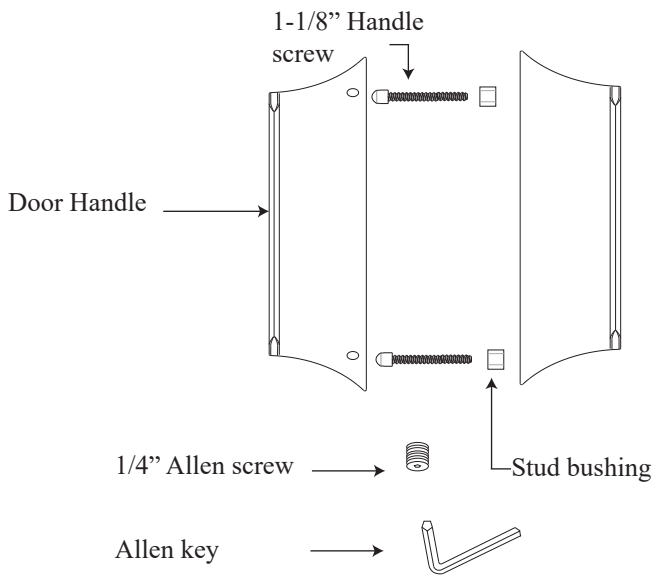
4



Required:
Caulking gun, drill/screwdriver

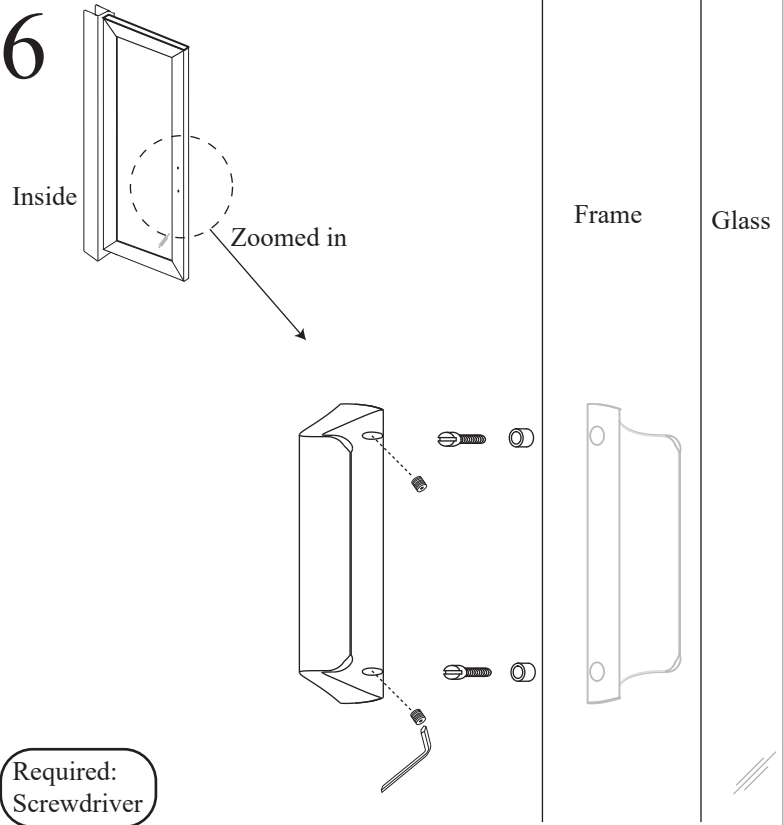
- Again, place the threshold on the base and caulk inside of threshold from the top at each wall and at all the joints.
- After the caulking is done, screw uprights to wall through predrilled holes with 1-1/4" flathead screws.

5



- Unpack the door handle assembly.
- It contains: Door handle- 2 pcs
 1 1/8" Handle screw- 2 pcs
 Stud bushing- 2 pcs
 1/4" allen screw- 2 pcs & Allen key- 1 pc

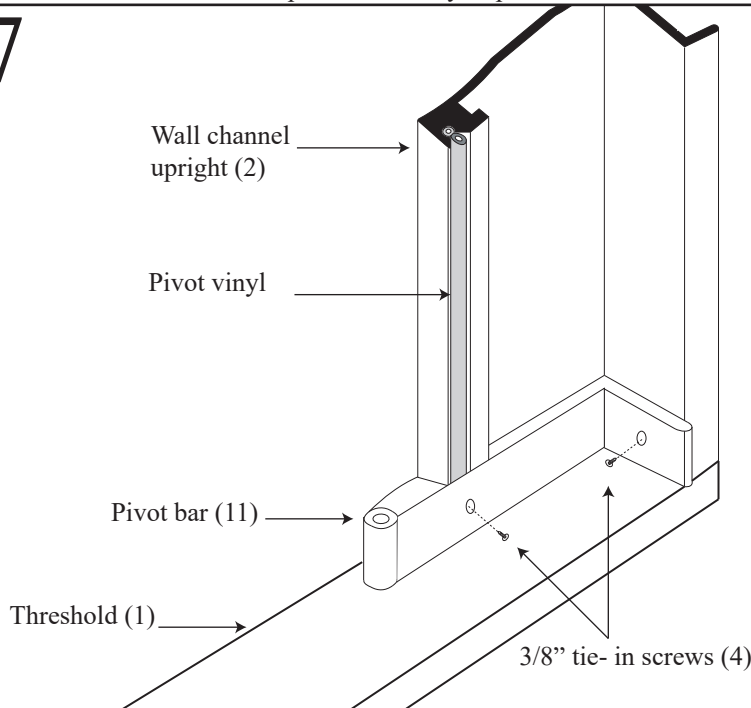
6



Required:
Screwdriver

- Insert screw through frame via pre-drilled holes making sure screw head and stud bushing are on inside of door.
- Screw handle with 1-1/8" flathead screws to secure on handle to place.
- Use 1/16 allen wrench to secure 1/4" allen screws into the other handle.

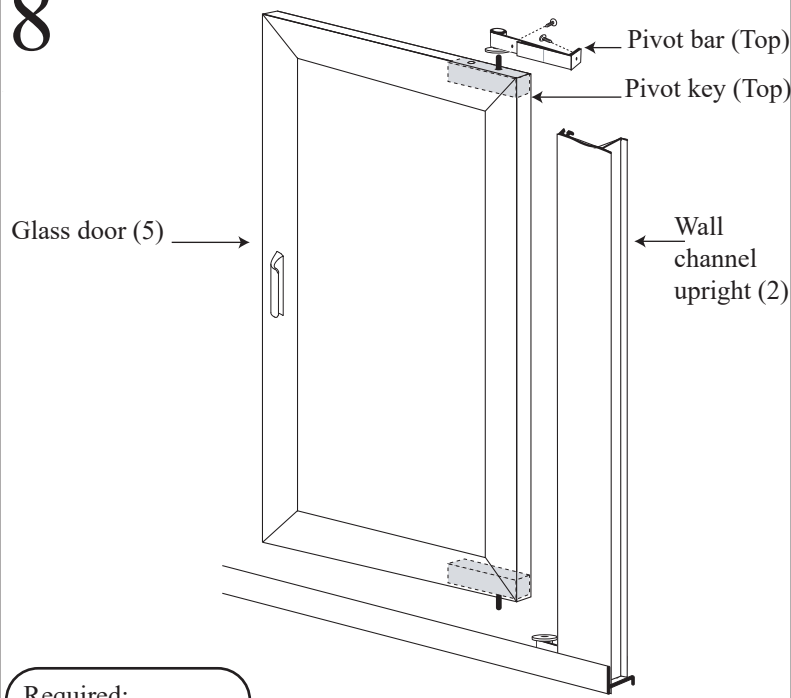
7



Required:
Masking tape, drill, pencil/marker, caulking gun

- Insert the pivot bar through wall channel upright resting on base of threshold. (Note: Bottom pivot bar bushing faces up.)
- Mark and drill holes on wall channel upright through pivot bar and secure into place with 3/8 screws.
- From inside silicone the base of pivot bar and threshold.

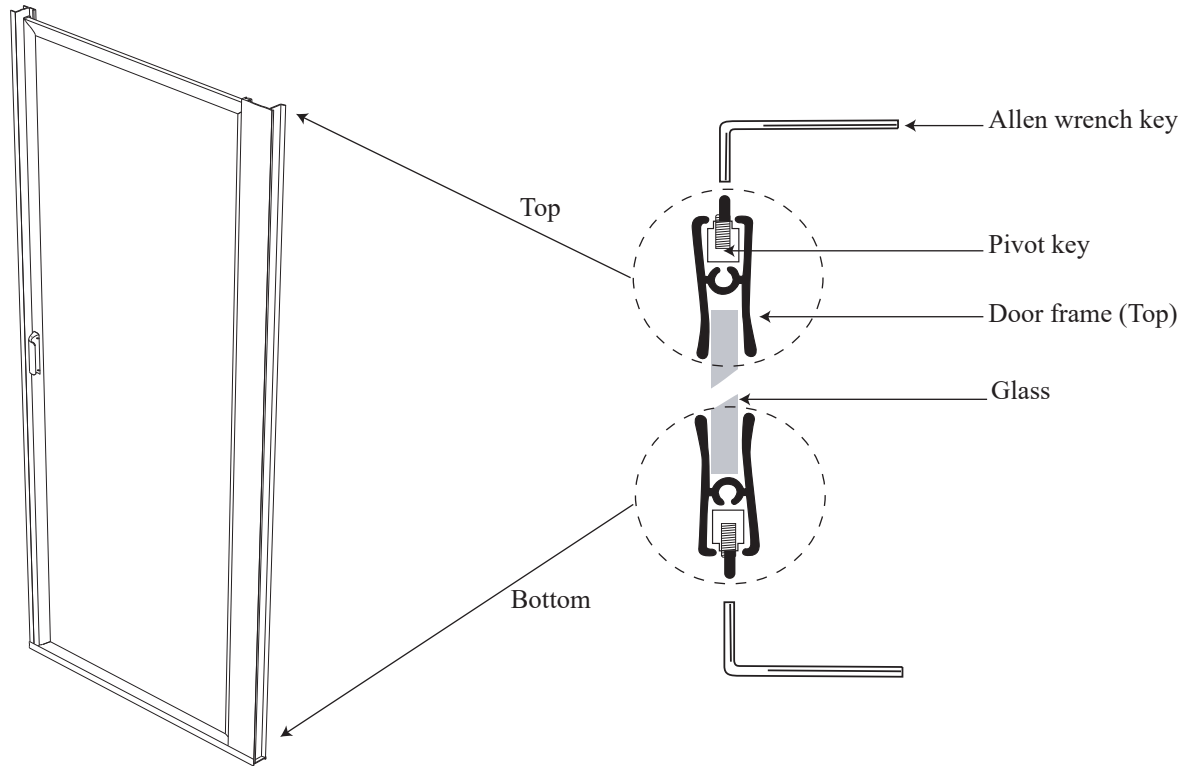
8



Required:
Masking tape, drill

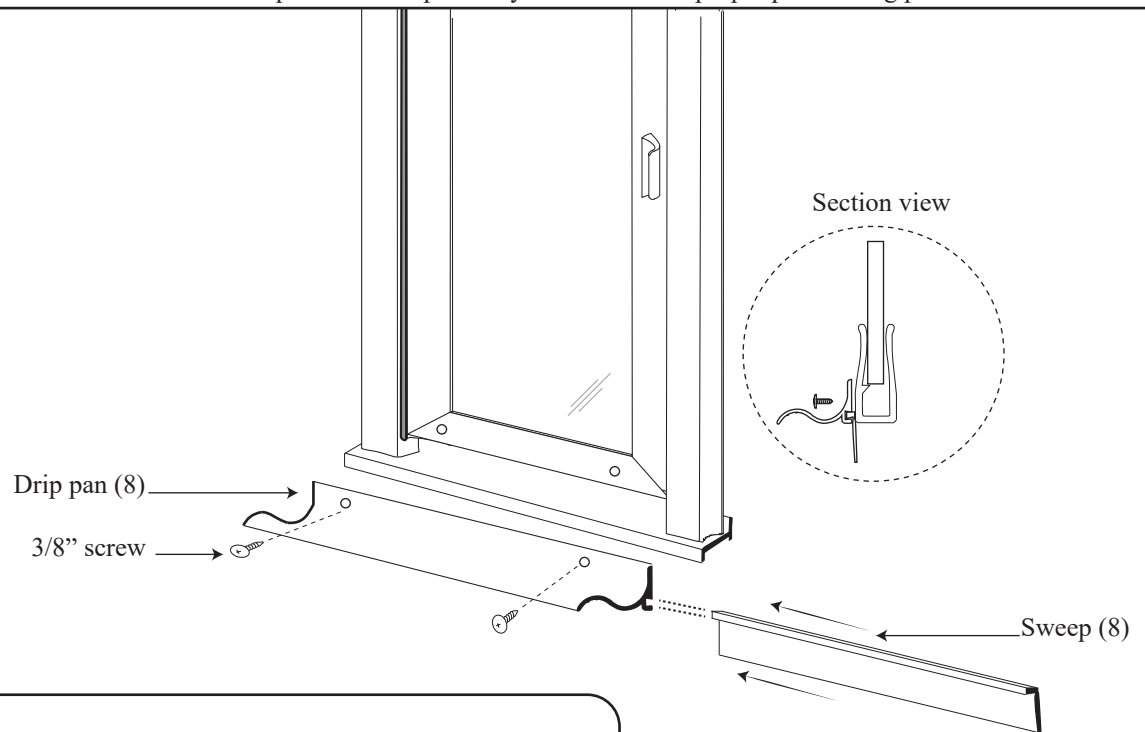
- Insert top pivot bar in pivot pin on top of the door (Note: Top pivot bar bushing faces down.)
- Now, place the door on bottom pivot bar. Hold door in position and lift top pivot bar and slide in wall channel upright onto top pivot pin.
- Mark and drill holes on wall channel upright #32 drill bit and secure into place with 3/8" screws.

9



- Pivot key allows you to adjust fit of the door by sliding the door left or right so the magnet frame section and magnetic striker align.
- Use the allen wrench key to tighten the 3/8" set screw in the top and bottom pivot keys to unlock into proper pivot/swing position.

10

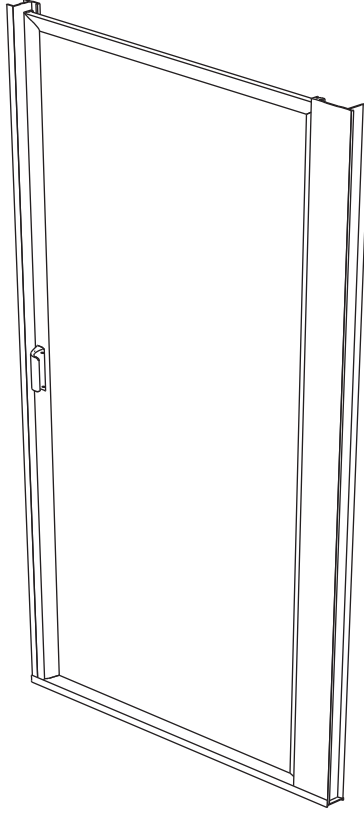


Required:

Pencil/ marker, metalwork file, drill, screwdriver, hacksaw, tape measure, level, caulking gun

- Measure from inside of the stall the distance between the inner striker upright and door hinge piece.
- Trim the extra length of the drip pan that would be on the striker side of door. File the cut, smooth and round the edge.
- Adjust position as needed to provide a slight horizontal tilt to the drip pan (with low side toward the hinge side of the door) so that the water runs back into shower.
- Align bottom edge of the drip pan with the bottom edge of the door. Mark and drill holes on bottom door frame to mount drip pan. (Be sure to avoid drilling into glass.) Slide drip pan vinyl sweep into drip pan as shown. Use screws to fix drip pan to door. Apply silicone to fix sweep.

11



Required:
Caulking gun

- On completion of assembly and installation, caulk entire inside of the unit where it meets the wall and the base and the outside of threshold where it meets the walls and base to prevent water leakage.
- Wait for 24 hours before using, for silicone to dry.