

**BEAUMONT
70" ACRYLIC
ROLL TOP TUB**

Cat. No.
ATRN70I



L: 69-1/2"
W: 31-1/2"
H: 24-1/2"

Water depth: 17" to top of tub
Water depth: 12-3/4" to OF

**The following is recommended for
ATRN tub**

- Faucets: part #4602, 4604 or 7082
- Rigid, freestanding supplies: part #4502
- Leg tub drain: part #5599LT or 5599TS

Gallon Capacity: 49
Shipping Weight: 162 lbs.
Empty Weight: 102 lbs.
Filled Weight: 559 lbs.



Overflow can be drilled .
With overflow drilled this tub
requires drain 5599E.
**Tubs that have been
drilled with overflow are
"special order" and
are not returnable.**

Features:

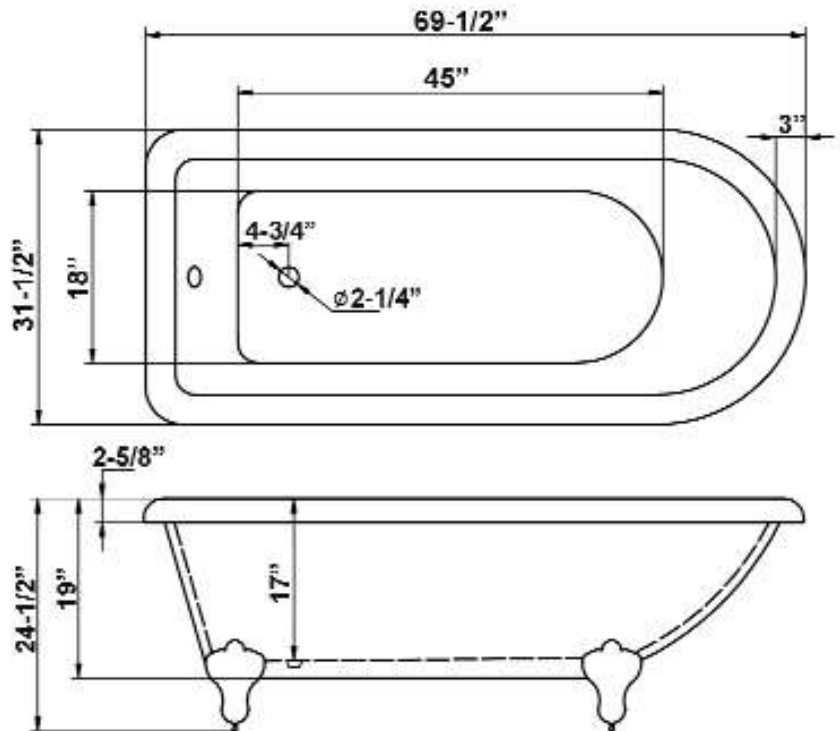
- ▶ Acrylic construction for lighter weight
- ▶ No faucet holes
- ▶ No overflow
- ▶ Cast aluminum imperial feet available in 4 finishes
- ▶ Tub is thoroughly inspected before shipment
- ▶ IAPMO Certified



Feet Finishes:

- BN** Brushed Nickel
- PB** Polished Brass
- CP** Polished Chrome
- ORB** Oil Rubbed Bronze

Custom Colors Available (inside of tub is always white enamel):
Painted bathtubs are considered "special order" and are not returnable
\$160 Bisque or Black \$250 Designer Color



Dimensions of fixture are nominal and specifications subject to change without notice.